

# Network TAP: SFP+ Breakout

1G/10G | Portable | Tap 'Breakout', Aggregation and Regeneration



Network test access points (TAPs) are hardware tools that allow you to monitor your network. These purpose-built hardware devices copy 100% of your networks data allowing your monitoring tools to see every bit, byte and packet.®

NetworkTAP: 10G SFP+ are purpose-built hardware devices that support tap 'breakout,' aggregation, regeneration, and media conversion allowing you to fully deploy your monitoring appliances and guarantee 100% visibility.

## Key Features

- Provide 100% full duplex traffic visibility
- Aggregating Taps are fully configurable and support multiple modes: breakout, aggregation, regeneration/SPAN and bypass
- Supports 1 Gigabit - TX, SX, LX
- Supports 10 Gigabit - SR, LR, T
- Supports Link Failure Propagation (LFP)
- Media conversion
- Easy configuration; switches on back
- Supports jumbo frames
- 100% secure and invisible; no IP address, no MAC address; cannot be hacked
- 1U rack mount holds up to 4 portable TAPs
- Made, tested and supported in USA
- No failsafe

## APPLICATIONS:

- Network & Application Monitoring
- Network & Application Analysis
- Network & Application Performance

+ Breakout Mode is ideal when utilization is very high and packet loss is not an option.

## SOLUTIONS:

Breakout Network TAPs are ideal for:

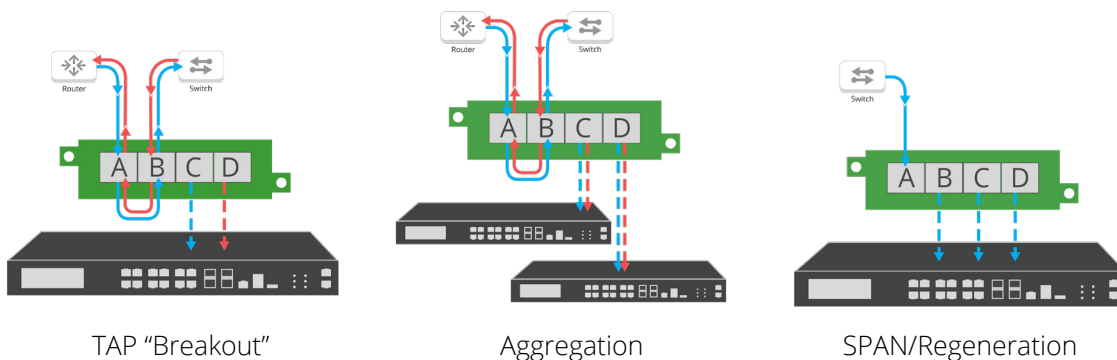
- Intrusion Detection Systems
- Application Performance Monitoring
- Lawful Intercept
- Packet Capture
- Deep Packet Inspection
- Network Analyzer
- Forensics

## Competitive Edge

- Unmanaged with switch configuration
- Portable - A trouble-shooting tool kit must have.
- Tested and Certified




## Network Flow



# Network TAP: SFP+ Breakout

1G/10G | Portable | Tap 'Breakout', Aggregation and Regeneration

Network TAP: 10G Breakout SFP+				
Model #	Ports	Network Speed	Ports	Power
P10GSFPA		1G/10G	SFP+	120W

## Additional Specifications

**Voltage:** 5V DC +/-5%

**Current:** 6 Amps

**Max. Consumption (Fiber SFP):** < 15 Watts

**Max. Consumption (Copper SFP):** < 22 Watts

**Ambient Temp.:** 0C to +40C / +32F to +104F

**Operating Re. Humidity:** 90% non-condensing

**Dimensions (HxWxD):** 1.3" x 3.9" x 9.40"  
(33mm x 99mm x 239mm)

**Weight:** 1.0 lbs (0.453592kg)

Plugables & Cables	
Model #	Description
RMS-1U-V2	1U Rack Mount Kit - Hold up to 4 Portable TAPs
SFPTX_T	SFP 10/100/1000 Copper RJ-45 Connector, TAA Compliant
SFPSX_T	SFP 100BASE, MM Fiber LC connector, TAA Compliant
SFP LX_T	SFP 1000Base-LX Single Mode Fiber LC Connector, TAA Compliant
SFP+SR_T	SFP+ Dual Speed 1Gigabit-SX / 10Gigabit-SR Multi-Mode Fiber LC Connector, TAA Compliant
SFP+LR_T	SFP+ Dual Speed 1Gigabit-LX / 10Gigabit-LR Multi-Mode Fiber LC Connector, TAA Compliant
SFP+T_T	SFP+ Triple Speed 100M/1G/10G Copper RJ45 Connector, TAA Compliant



## Have Questions?

sales@garlandtechnology.com | 716.242.8500

GarlandTechnology.com

Have a project and  
need Visio diagrams?

[\[Click\] Design-IT Demo](#)



See every bit, byte, and packet.™