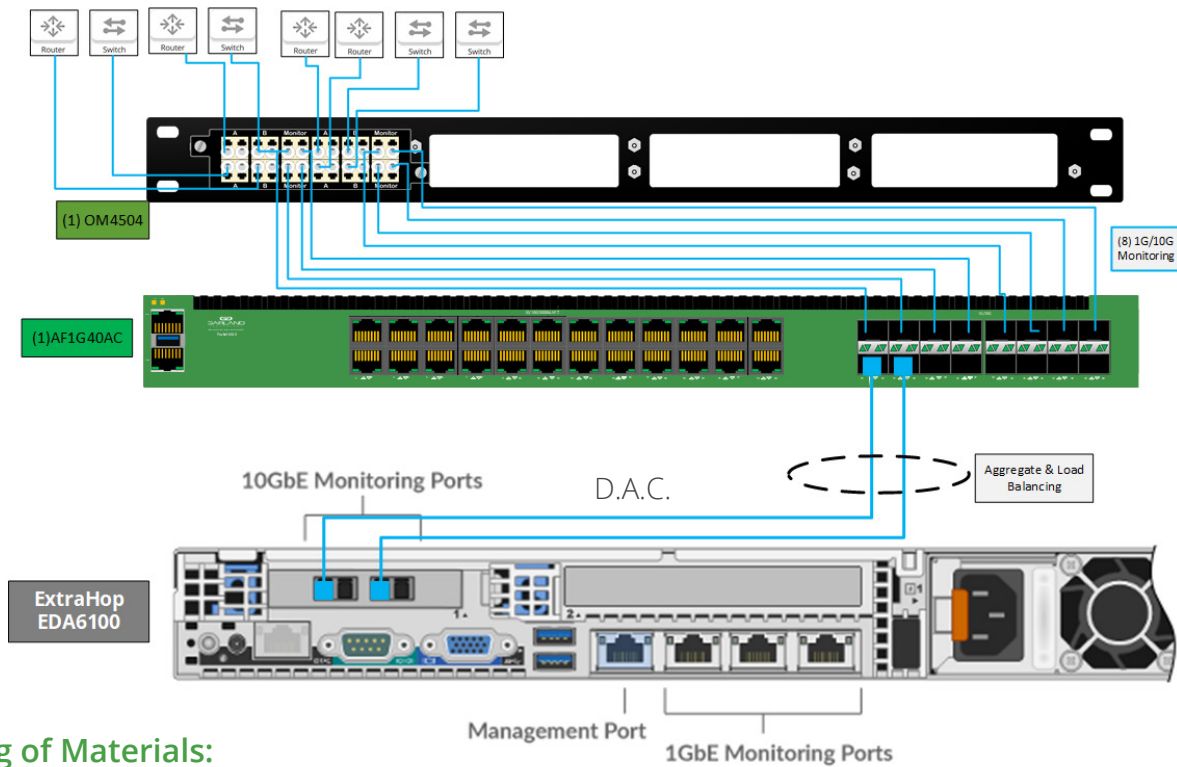


ExtraHop Bundle Start-Up Guide

Garland Technology's TAP to Aggregation integration with ExtraHop Monitoring Tool.

Fiber Deployment

(4) 1G/10G Multi-mode Fiber Passive TAPs Aggregates and Load-balances to (2) 10G-SR monitoring port



Building of Materials:

QTY	Product
1	RMP 1U (Rack Mount Plate)
1	OM4504 (Fiber Network Quad TAP)
1	AF1G40AC (Advanced Features 1G Aggregator)
8	SFP+ SR10G
2	PCUSA13 (Power Cord USA)
2	TWINAX3M
8	LC-LCOMM4_3
4	LC-LCOMM4_3Y

Direct Attach Cable (D.A.C.)

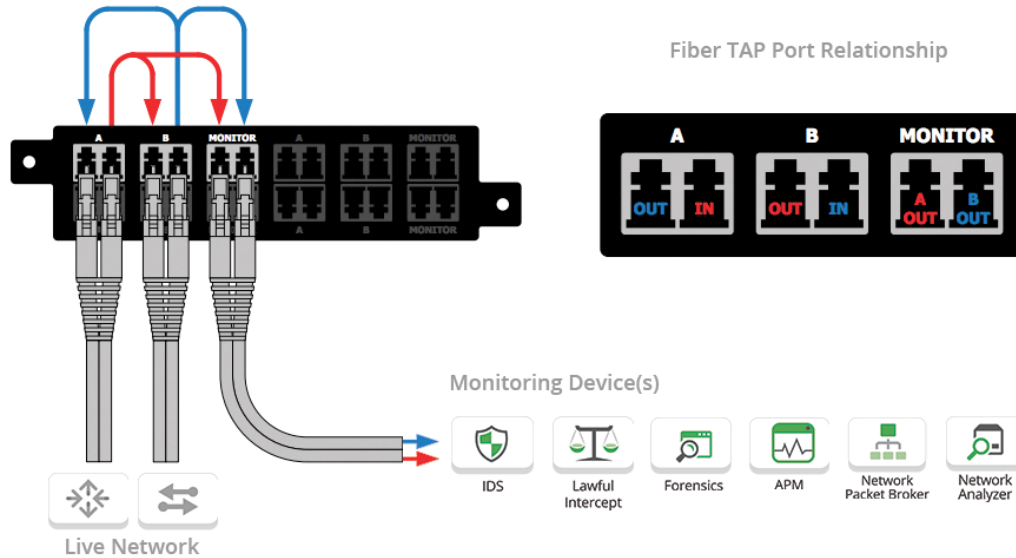


Have Questions?

sales@garlandtechnology.com | +1 716.242.8500 | garlandtechnology.com

Schedule a free [Design-IT session](#) with us today!

ExtraHop Bundle Start-Up Guide



Installation

Cabling:

- Port A is a full-duplex fiber TAP port that should be connected to one of the two network devices where network monitoring is desired.
- Port B is a full-duplex fiber TAP port that should be connected to the other side or adjacent network device where network monitoring is desired.
- MONITOR Port is a dual-simplex directional port (both sides are output only) which should be connected to the input to receive only side of two interfaces of any monitoring devices that will collect the tapped traffic

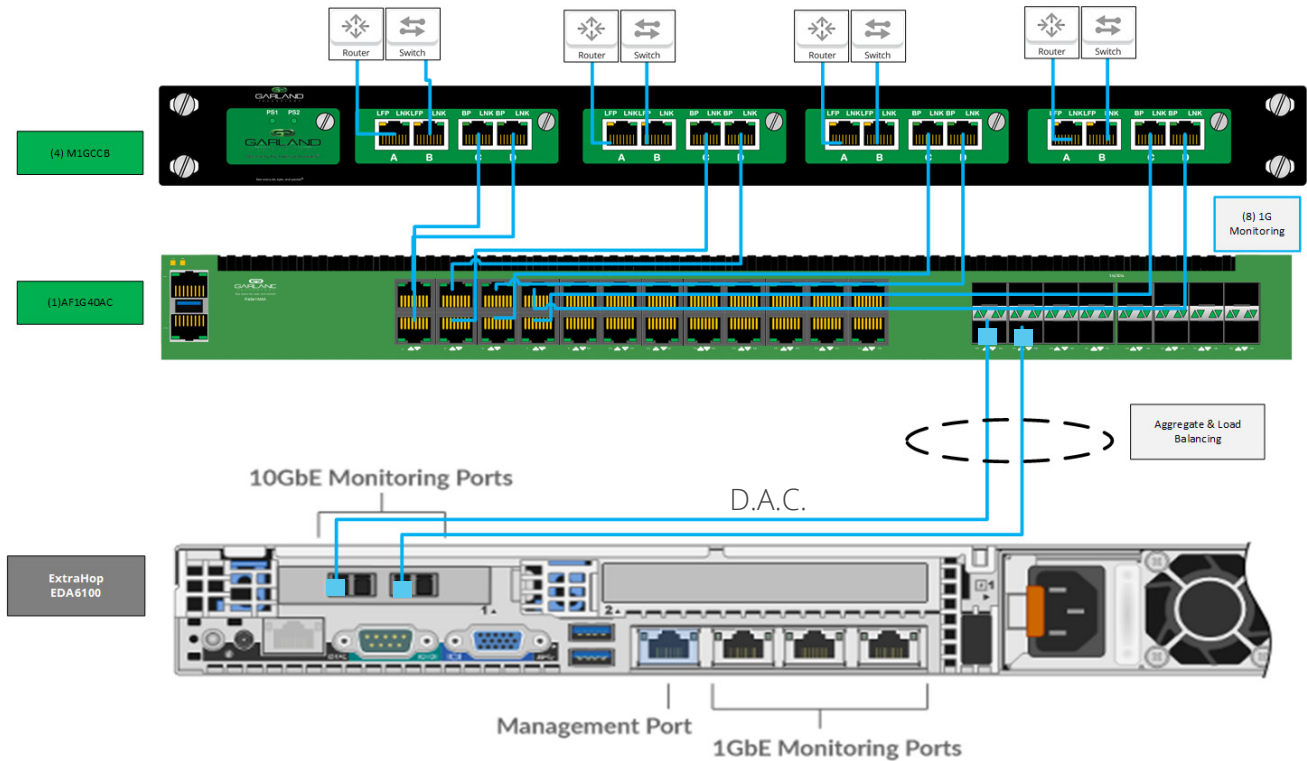
Link to Fiber Network TAP install guide:

https://www.garlandtechnology.com/hubfs/Assets/Library_Assets/Resources/Installation_Guides/Garland-InstallGuide-PassiveFiberModularChassis.pdf?t=1515782878466&hsLang=en-us

ExtraHop Bundle Start-Up Guide

Copper Deployment

(4) 1G Copper Breakout TAPs Aggregated and Load-Balanced to (2) 10G-SR Monitoring Port



Building of Materials:

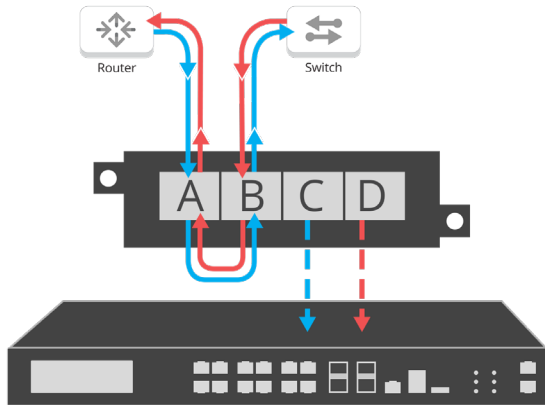
QTY	Product
1	M1GACE (Chassis 1U up to 4 TAPs)
1	M1GL (LED Console Port)
4	M1GCCB (1G Copper TAP)
1	AF1G40AC (Advanced Features Aggregator)
4	PCUSAC13 (Power Cord USA)
16	RJ-RJCAT6_3 (Copper Cables)
2	TWINAX3M

Direct Attach Cable (D.A.C.)



ExtraHop Bundle Start-Up Guide

Breakout TAP Mode



Link to Modular Copper Network TAP install guide:

https://www.garlandtechnology.com/hubfs/Assets/Library_Assets/Resources/Installation_Guides/M1GxxCE%20Modular%20Aggregating%20and%20Filtering%20TAP%20Installation%20Guide%20ver%201.6%206-13-2017.pdf?t=1503409297554&hsLang=en-us

ExtraHop Bundle Start-Up Guide

Configuration of the Advanced Features Box

AF1G40AC GUI Device Summary Window:

1	3	5	7	9	11	13	15	17	19	21	23	25	27	29	31	33	35	37	39
2	4	6	8	10	12	14	16	18	20	22	24	26	28	30	32	34	36	38	40

SFP Active
 SFP Inactive
 SFP Disable
 RJ45 Active
 RJ45 Inactive
 RJ45 Disable

Product ID	PacketMAX-AF1G40AC	Hardware Version	2.1
Device Name	Switch	BootRom Version	A.1.7
Serial Number	E254GD19C03C	EPLD Version	1.1
Software Version	AggregatorOS-3.0.5.r1	MAC Address	f093.c5f1.5995
Image Name	AggregatorOS-AF1G40AC-v3.0.5.r1-en.bin	Uptime	0 days, 23 hours, 6 minutes

Build Link Aggregation Groups

Build Ingress Aggregation Group From Taps by Selecting Ports 1-8 (connected to fiber or copper TAPs) :

Port Configuration

Link Aggregation Name: agg 1

eth-0-1
 eth-0-2
 eth-0-3
 eth-0-4
 eth-0-5
 eth-0-6
 eth-0-7
 eth-0-8
 eth-0-9
 eth-0-10
 eth-0-11
 eth-0-12

Completed Ingress Aggregation Group:

Port Configuration

#	Link Aggregation Name	Load Balance Mode	Protocol	Group State	Ports in Bundle	Member Ports	Max Ports
1	agg1	round-robin	static	L2	1	eth-0-1 eth-0-2 eth-0-3 eth-0-4 eth-0-5 eth-0-6 eth-0-7 eth-0-8	16

ExtraHop Bundle Start-Up Guide

Build Egress Aggregation Group by Selecting Ports 26 & 28 To ExtraHop Device:

Port Configuration

Link Aggregation Name: agg 2

eth-0-1 eth-0-2 eth-0-3 eth-0-4 eth-0-5 eth-0-6
 eth-0-7 eth-0-8 eth-0-9 eth-0-10 eth-0-11 eth-0-12
 eth-0-13 eth-0-14 eth-0-15 eth-0-16 eth-0-17 eth-0-18
 eth-0-19 eth-0-20 eth-0-21 eth-0-22 eth-0-23 eth-0-24

Completed Egress Aggregation Group:

Port Configuration

<input checked="" type="checkbox"/>	#	Link Aggregation Name	Load Balance Mode	Protocol	Group State	Ports in Bundle	Member Ports	Max Ports
<input type="checkbox"/>	1	agg1	round-robin	static	L2	1	eth-0-1 eth-0-2 eth-0-3 eth-0-4 eth-0-5 eth-0-6 eth-0-7 eth-0-8	16
<input type="checkbox"/>	2	agg2	round-robin	static	L2	0	eth-0-26 eth-0-28	16

Create TAP Group Mappings Between agg1 & agg2 :

Select 'agg1' for Ingress:

ExtraHop

Direction:

Port:

Truncation: off

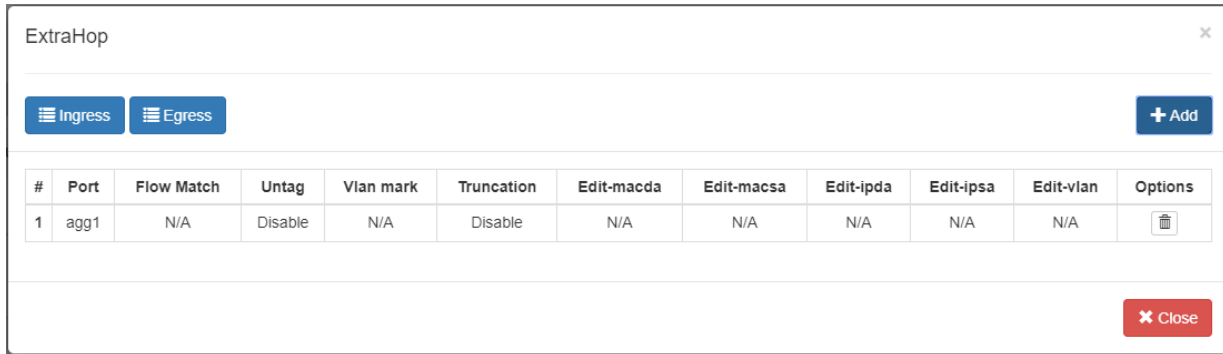
Untag:

Vlan mark: off

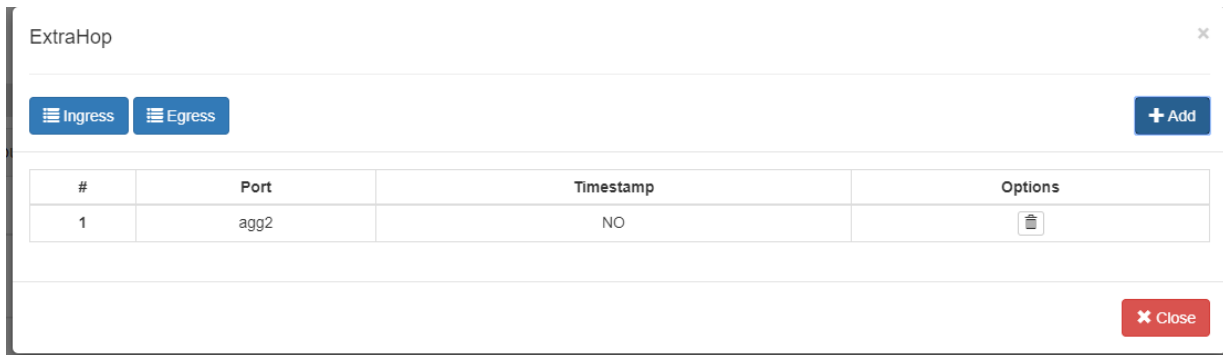
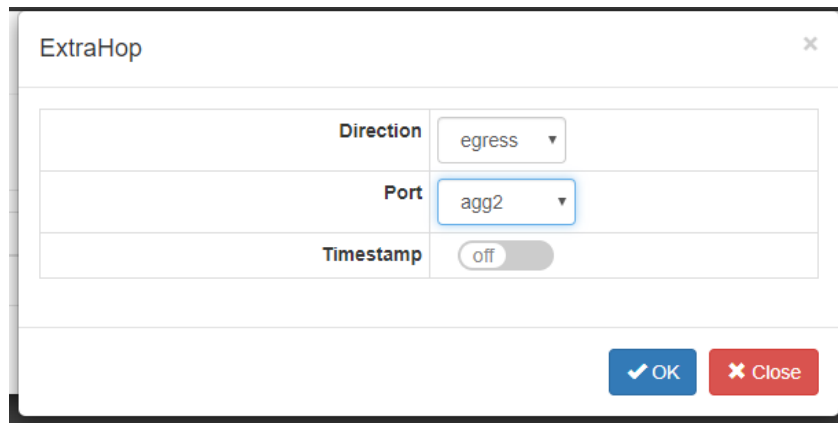
Flow Match: off

Edit packet: off

ExtraHop Bundle Start-Up Guide



Select 'agg2' for Egress:



Finished TAP group:

Tap Group Statistics + Add Tap Group ⚙ Truncation ⚙ Timestamp

#	Tap Id	Tap Group Name	Tap Group Description	Tap Group truncation	Options
1	1	ExtraHop	N/A	NO	

Have Questions?

sales@garlandtechnology.com | +1 716.242.8500 | garlandtechnology.com

Schedule a free [Design-IT session](#) with us today!