

The FAB Packet Broker System

Filtering, Aggregating and Load Balancing | 1G/10G/40G | 1U Chassis



The updated FAB in Garland's line of purpose built packet brokers provides a high performance hardware device that allows you to aggregate network traffic, load balance at high speeds (1G, 10G, 40G) and connect monitoring tools to multiple segments of your network. Garland's FAB was designed for network growth, providing a high performance, all-in-one device that includes full functionality and features, while giving you the flexibility to activate only the ports you need.

Key Features

- Aggregate your network traffic to a single tool
- Load balance at high network speeds across multiple appliances
- Load balancing hash options include MAC, IP, MPLS, Ipv6, L4 Port
- Connect tools to multiple network segments
- Any-to-Any configurations: 1G, 10G, and 40G
- Remote Syslog, NTP
- Remote network management (RMON) with GUI or CLI interface
- TACACS and RADIUS remote user authentication
- HTTPS security upload
- sFlow support
- 16MB System Buffer Memory
- Supports VLAN modifying / tagging + VXLAN
- All ports can be configured as ingress or egress
- Ingress and egress counters
- Copper SFPs support 10/100/1000 base
- Supports jumbo frames
- GRE Termination
- AC or DC hot swappable power supplies
- 1 Management port; 1 Console port
- Use the ports you need, expand anytime
- Made, supported and serviced in the USA

Solutions

TAP Multiple 1G/10G links and filter, aggregate and load balance to a single 40G tool.
Monitor 40G links and filter, aggregate and load balance to multiple 1G or 10G tools.



Analyzers



Application Performance Monitoring



Intrusion Detection System



Lawful Intercept



Data Forensics



Packet Capture

APPLICATIONS:

- High density solution
- Advanced load balancing
- Filtering & Tagging

FILTERS:

- User definable filters of Layer 2, 3 and 4
- Filters: IPv4/IPv6, L4Port, TCP, UDP, VLAN, MAC, Ethertype, IP Protocol, MPLS labels, SCTP
- VLAN tag and MPLS header stripping
- Full line rate filtering
- Egress filtering
- Fragmented packets filtering
- GTP Control and User packets filtering

Competitive Edge

- Session aware load balancing
- MPLS heading stripping (L3)
- VLAN tagging and stripping
- Remote management with CLI or GUI




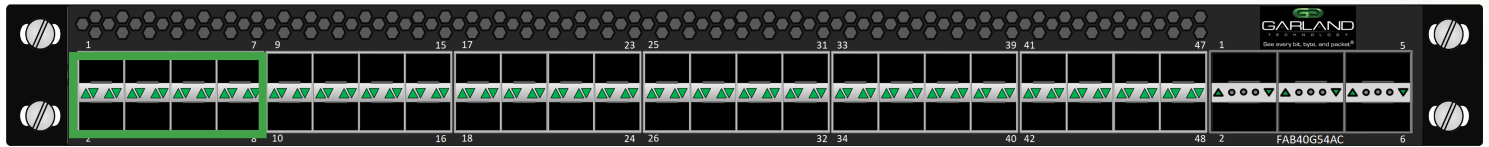
Have Questions?

sales@garlandtechnology.com
+716.242.8500
garlandtechnology.com

The FAB Packet Broker System

Filtering, Aggregating and Load Balancing | 1G/10G/40G | 1U Chassis

Filtering TAP options					
Model #		Network Speed	Activated SFP/SFP+ Ports	Power Consumption	Dual Hot Swappable Power Supplies*
FAB40G54ACV2-PA8		1G/10G/40G	(8) SFP/SFP+	195W	AC
PA8FAB10G-16P	(8) Port Activation Pack	Ports (9 - 16) 1G/10G SFP/SFP+ Activation * Serial Number Required. Use the ports you need, expand anytime.			
PA8FAB10G-24P	(8) Port Activation Pack	Ports (17 - 24) 1G/10G SFP/SFP+ Activation * Serial Number Required. Use the ports you need, expand anytime.			
PA8FAB10G-32P	(8) Port Activation Pack	Ports (25 - 32) 1G/10G SFP/SFP+ Activation * Serial Number Required. Use the ports you need, expand anytime.			
PA8FAB10G-40P	(8) Port Activation Pack	Ports (33 - 40) 1G/10G SFP/SFP+ Activation * Serial Number Required. Use the ports you need, expand anytime.			
PA8FAB10G-48P	(8) Port Activation Pack	Ports (41 - 48) 1G/10G SFP/SFP+ Activation * Serial Number Required. Use the ports you need, expand anytime.			
PA6FAB40G	(6) Port Activation Pack	Ports (49 - 54) 40G QSFP+ Activation * Serial Number Required. Use the ports you need, expand anytime.			



FAB40G54ACV2-PA8 (8) 1G/10G SFP/SFP+ Ports
PA8FAB10G-16P Add: (8) 1G/10G SFP/SFP+ Ports
PA8FAB10G-24P Add: (8) 1G/10G SFP/SFP+ Ports
PA8FAB10G-32P Add: (8) 1G/10G SFP/SFP+ Ports
PA8FAB10G-40P Add: (8) 1G/10G SFP/SFP+ Ports
PA8FAB10G-48P Add: (8) 1G/10G SFP/SFP+ Ports
PA6FAB40G Add: (6) 40G QSFP+ Ports

Available Pluggables & Cables:	
Model #	Description
SFPTX	SFP 10/100/1000 Copper RJ-45 Connector
SFPSX	SFP 1000Base-SX Multi-Mode Fiber LC Connector
SFPLX	SFP 1000Base-LX Single Mode Fiber LC Connector
SFP+SR	SFP+ Dual Speed 1 Gigabit-SX / 10 Gigabit-SR Multi-Mode Fiber LC Connector
SFP+LR	SFP+ Dual Speed 1 Gigabit-LX / 10 Gigabit-LR Single Mode Fiber LC Connector
SFP+ER	SFP+ 10Gigabit-ER Single-Mode Fiber LC Connector
SFP+SR10	SFP+ 10Gigabit-SR Multi-Mode Fiber LC Connector - only supports 10G
SFP+LR10	SFP+ 10Gigabit-LR Multi-Mode Fiber LC Connector - only supports 10G
QSFP+40G	QSFP+ 40 Gigabit-SR Multi-Mode Fiber MPO/MTP-12 Connector
QSFP+40G-LR4	QSFP+LR Single-Mode Fiber LC Connector
QSFP+40GBiDi	QSFP+ 40Gigabit-SR-BiDi Multi-Mode Fiber LC Connector
QSFP28-4SFP28-Cable_1	100 Gigabit Ethernet QSFP28 to (4) x 25 Gigabit Ethernet SFP28 Splitter Cable, 1 Meter
TWINAX1M*	Twinax Copper Direct Connect Cable SFP+ 10Gigabit 1 Meter

*Also available in 5 and 10 meters.

1U Chassis Specifications:

Max system throughput: 1.44TBPS
 Support for: SFP / SFP+, LS, LR, SX, LX, TX, ER, SR
 Operating Temp.: 0C to 40C / 32F to 104F
 Operating Humidity: 5 to 90%

Dimensions: 1.75"H x 17.25"W x 24.50"D
 (44.45 mm H x 448.15mm W x 622.3mm D)
 Airflow: 200lf/m
 (2) AC Power Supplies included

Power Supply options	
PS10-HS-DC	Hot Swappable DC -48vdc Power Supplies
PS10-HS-AC	Hot Swappable AC Power Supplies (*Two included with each EdgeLens order)

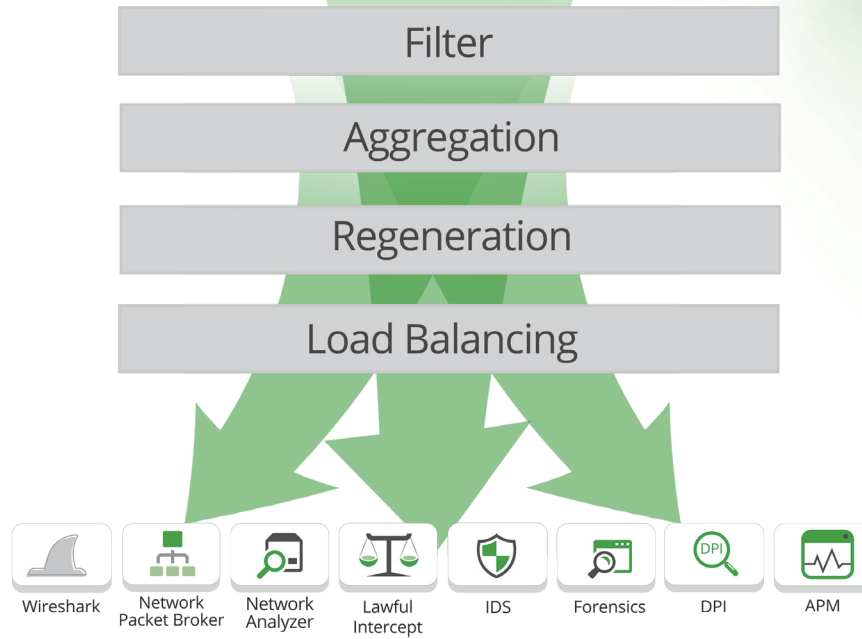
(2) Two power supplies are required for each chassis



This document is for informational purposes only. The information in this document, believed by Garland Technology to be accurate as of the date of publication, is subject to change without notice. Garland Technology assumes no responsibility for any errors or omissions in this document and shall have no obligation to you as a result of having made this document available to you or based upon the information it contains. ©2018 Garland Technology LLC. All Rights Reserved

The FAB Packet Broker System

Filtering, Aggregating and Load Balancing | 1G/10G/40G | 1U Chassis



Filtering

Filtering & Tagging

The FAB's filters direct the flow of traffic. Filters can: deny traffic, pass all traffic, pass traffic by certain criteria and tag packets. The FAB's VLAN filters can tag packets, remove tags from packets and truncate packets.



Aggregation

Aggregation

- Any to Any configuration
- Easily monitor EtherChannel (bonded links)
- Aggregate network traffic to single or multiple tools



Load Balancing

Load Balancing

Session aware load balancing

- 1G to 1G • 10G to 1G • 40G to 1G
- 1G to 10G • 10G to 10G • 40G to 10G
- 1G to 40G • 10G to 40G • 40G to 40G



Regeneration

Regeneration

- Deliver data to all monitoring tools
- Double your data ports with passive fiber TAPs in 1G/10G/40G



See every bit, byte, and packet®

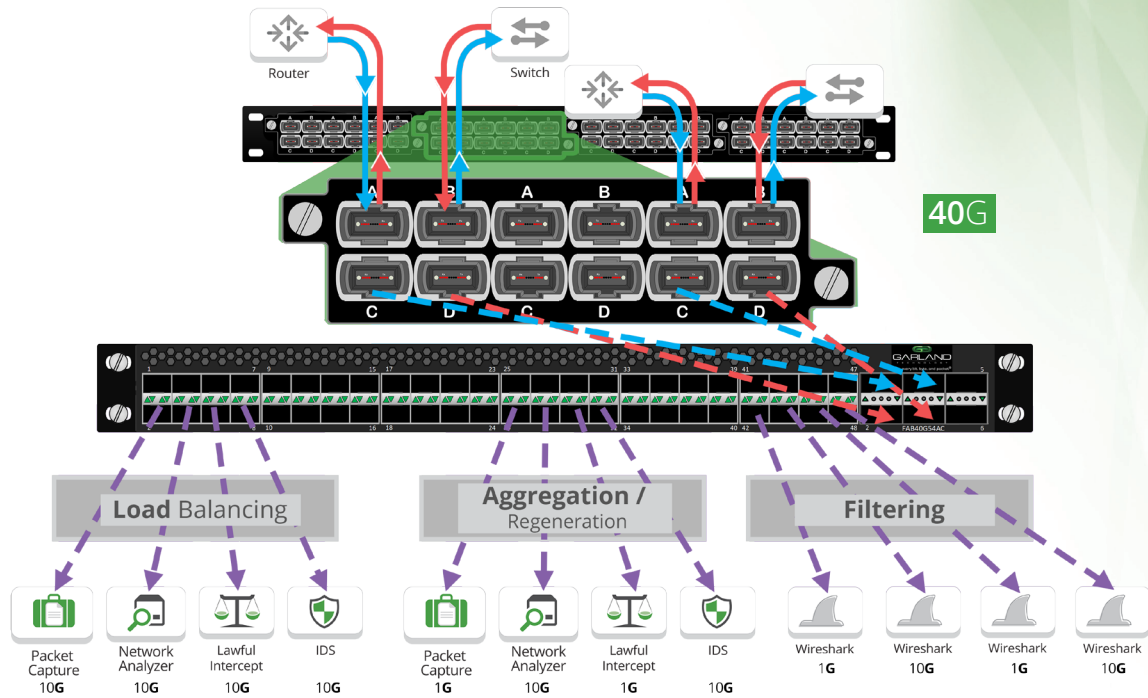
This document is for informational purposes only. The information in this document, believed by Garland Technology to be accurate as of the date of publication, is subject to change without notice. Garland Technology assumes no responsibility for any errors or omissions in this document and shall have no obligation to you as a result of having made this document available to you or based upon the information it contains. ©2018 Garland Technology LLC. All Rights Reserved

The FAB Packet Broker System

Filtering, Aggregating and Load Balancing | 1G/10G/40G | 1U Chassis

Use Cases

Monitor your 40G Links and Filter, Aggregate and Load Balance to multiple 1G or 10G Monitoring Solutions



TAP Multiple 1G/10G Links and Filter, Aggregate and Load Balance to a single 40G Monitoring Tool

