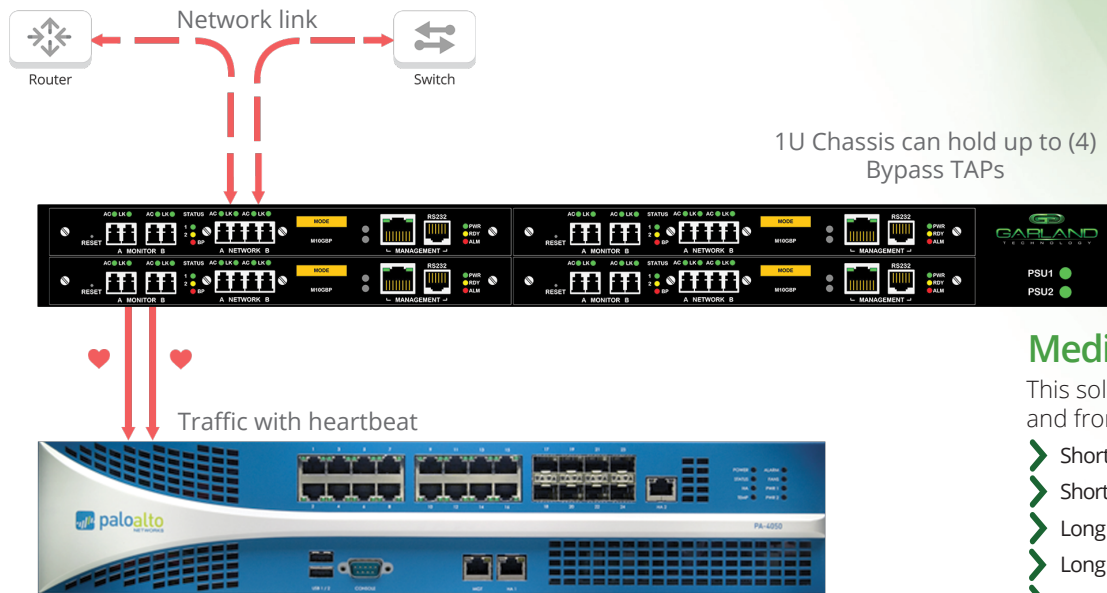


10G Media Conversion Solution

Working towards the best solution for Palo Alto Network Users

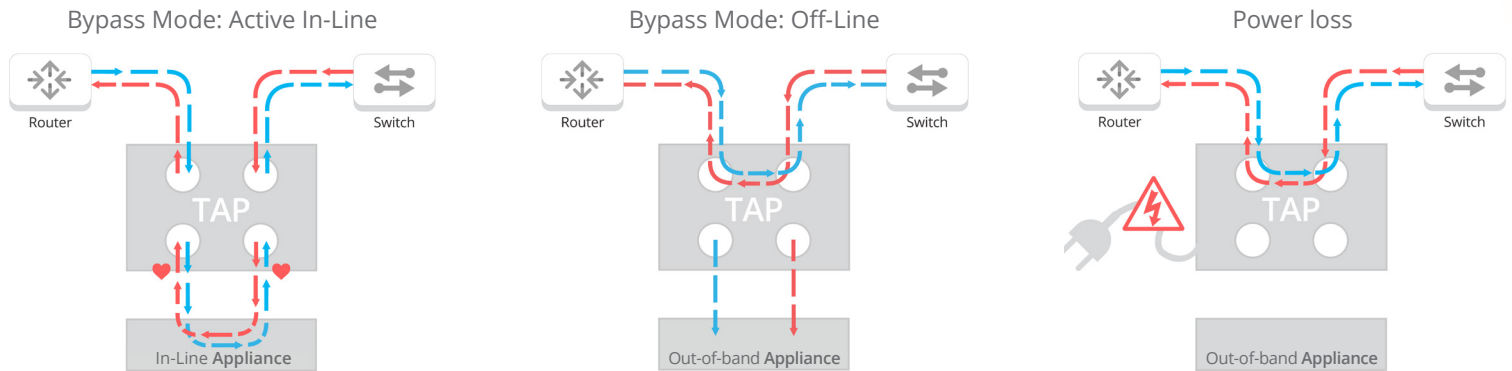


Media Conversion

This solution offers conversion to and from:

- Short range (SR) to Long range (LR)
- Short range (SR) to Extended range (ER)
- Long range (LR) to Short range (SR)
- Long range (LR) to Extended range (ER)
- Extended range (ER) to Short range (SR)
- Extended range (ER) to Long range (LR)

Bypass TAP Traffic Flow



Applications

- Securely TAP a 10G circuit and convert to SR, LR and ER.
- Take your Palo Alto appliance offline without interrupting data traffic for: updates, maintenance and troubleshooting.
- Guarantee 100% Production circuit uptime with appliance heartbeat and dual power supplies.
- House up to (4) TAPs in a 1U chassis.
- Chassis is remotely configurable.
- TAPs are fully configurable and support multiple modes:
 - Breakout mode
 - Bypass mode
 - Aggregation mode
 - Regeneration mode
- Support for packet injection, jumbo frames, link failure propagation with TACACS, SNMP and Syslog.

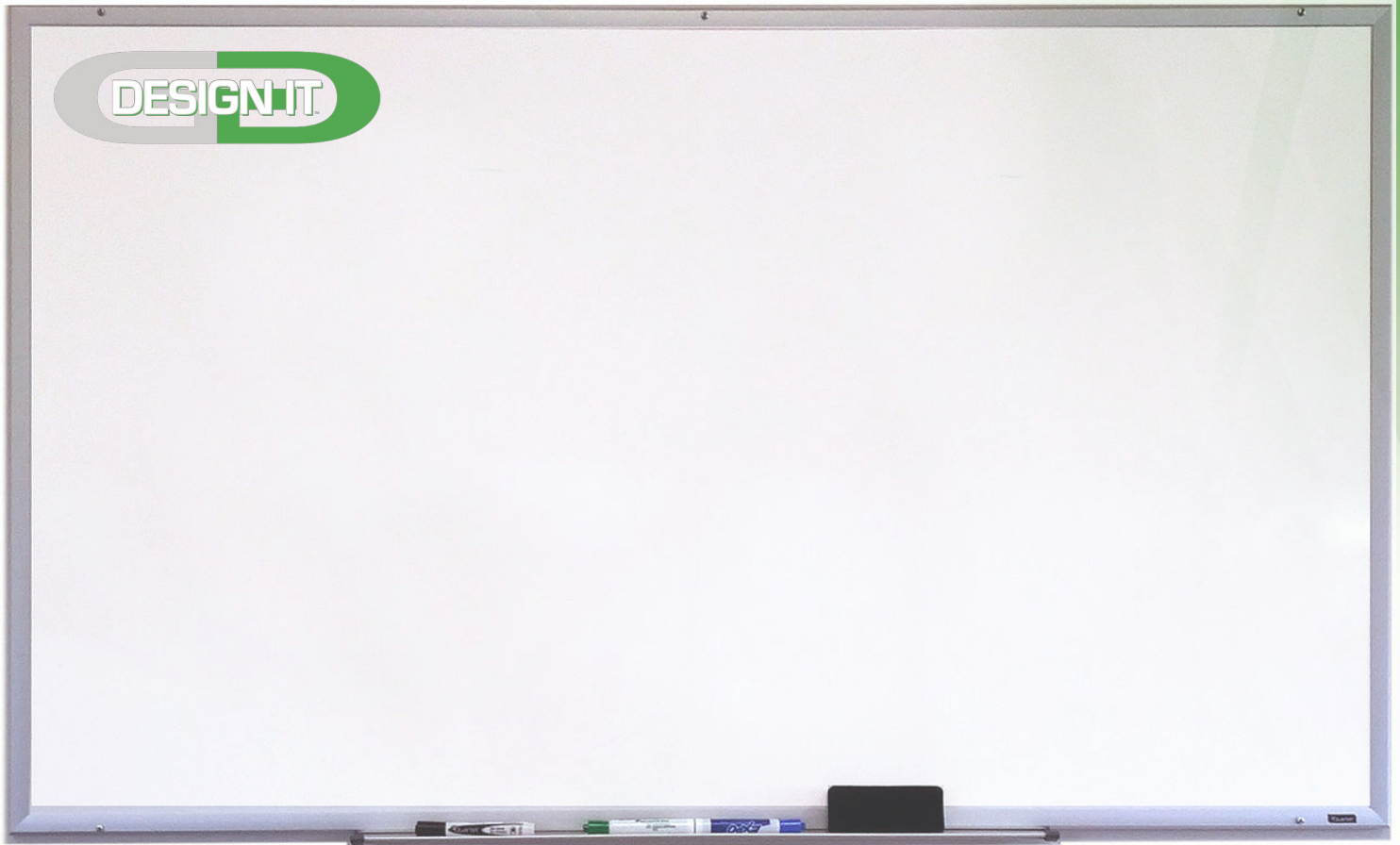
Heartbeat Packets

Heartbeat packets are sent out of each monitoring port. If the heartbeat packets are not received from either direction, then Bypass Mode takes effect. Heartbeat packets are never sent on the live network.

Have Questions?

fuel@garlandtechnology.com
+716.242.8500
garlandtechnology.com

10G Media Conversion Solution



Part Numbers and Ordering Information •

Palo Alto Parts for this solution:

PA-5060	PA-3020
PA-5050	PA-2050
PA-5020	PA-500
PA-3050	PA-200

Garland Technology Ordering Information:

Part Number	Description
Chassis:	
M10G1ACsv2	1U Modular Chassis; Dual AC PSU - Supports (4) 10G Bypass TAP Modules
M10G1DCsv2	1U Modular Chassis, Dual DC -48vdc PSU - Supports (4) 10G Bypass TAP Modules
TAP Modules:	
M10GMSBPv2	10Gbps Bypass TAP; 2 Multi-mode Fiber TAP Ports; 2 SFP Monitoring Ports
M10GSSBPv2	10Gbps Bypass TAP; 2 Single-mode Fiber (LR) TAP Ports; 2 SFP Monitoring Ports
M10GESBPv2	10Gbps Bypass TAP; 2 Single-mode Fiber (ER) TAP Ports; 2 SFP Monitoring Ports
SFP+SR10	10G-SR SFP+
SFP+LR10	10G-LR SFP+
SFP+ER10	10G-ER SFP+