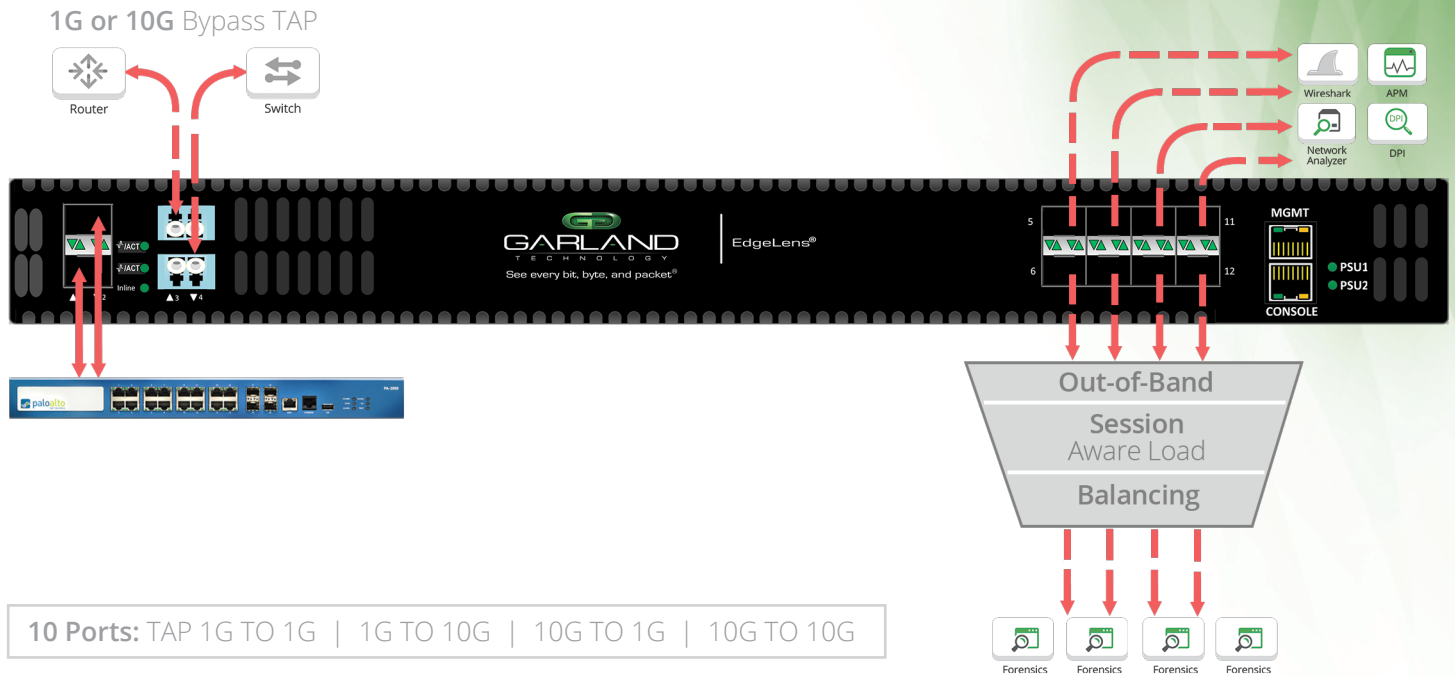
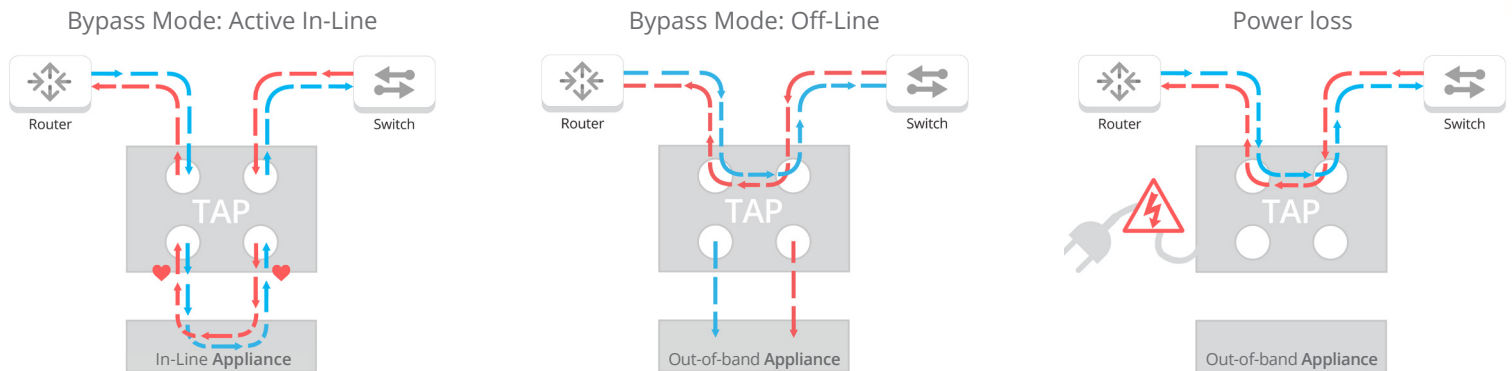


EdgeLens® 12-Port In-Line/Out-of-Band Solution

Hybrid bypass TAP and packet broker solution for Palo Alto Network Users



Bypass TAP Traffic Flow



Applications

- Use a single access device to connect multiple appliances, including Forensics, End Point and BYOD.
- Take your Palo Alto appliance offline without interrupting data traffic for: updates, maintenance and troubleshooting
- (10) ports employ SFP cages for ultimate flexibility.
- TAP a 10G circuit and filter for 1G appliances.
- In-line TAP circuit type can be multi-mode or single-mode with egress ports in either 1G or 10G, fiber or copper.
- The EdgeLens® filters, aggregates and load balances the in-line data stream and all monitoring outputs.

The EdgeLens®

The Garland Technology 12-port EdgeLens® provides (1) 10G TAP with (8) monitoring ports. Palo Alto, in combination with their technology partners, provides complete security solutions including network forensics and BYOD. The 12-port EdgeLens® provides a cost effective solution for attaching multiple devices through a single TAP contained in a 1U chassis.

Heartbeat Packets

Heartbeat packets are sent out of each monitoring port. If the heartbeat packets are not received from either direction, then Bypass Mode takes effect. Heartbeat packets are never sent on the live network.

Have Questions?

fuel@garlandtechnology.com
+716.242.8500
garlandtechnology.com

EdgeLens® 12-Port In-Line/Out-of-Band Solution



Part Numbers and Ordering Information •

Palo Alto Parts for this solution:

PA-7050
PA-5050
PA-5020
PA-3050
PA-3020
PA-2050

Garland Technology Ordering Information:

Part Number	Description
EdgeLens® Packet Broker Hybrid Bypass TAP Systems:	
INT10G2SRBP10SFP+	Integrated 1U chassis single bypass TAP system Supports filtering, aggregating, load balancing and regeneration One (1) 1 Gigabit-SX/10 Gigabit-SR TAP Ten (10) SFP/SFP+ ports Supports heartbeats for port pairs Dual AC hot swappable power supplies 1 Management Port 1 Console Port
INT10G2LRBP10SFP+	Integrated 1U chassis single bypass TAP system Supports filtering, aggregating, load balancing and regeneration One (1) 1 Gigabit-SX/10 Gigabit-LR TAP Ten (10) SFP/SFP+ ports Supports heartbeats for port pairs Dual AC hot swappable power supplies 1 Management Port 1 Console Port