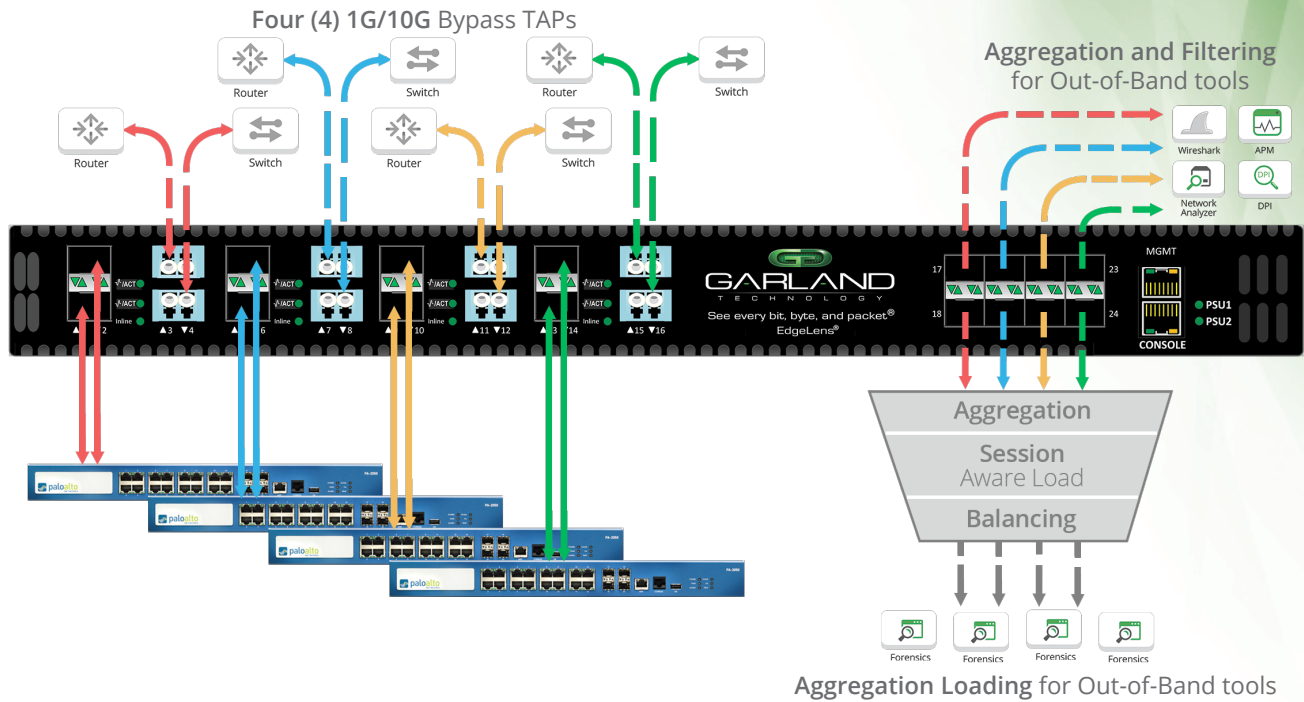
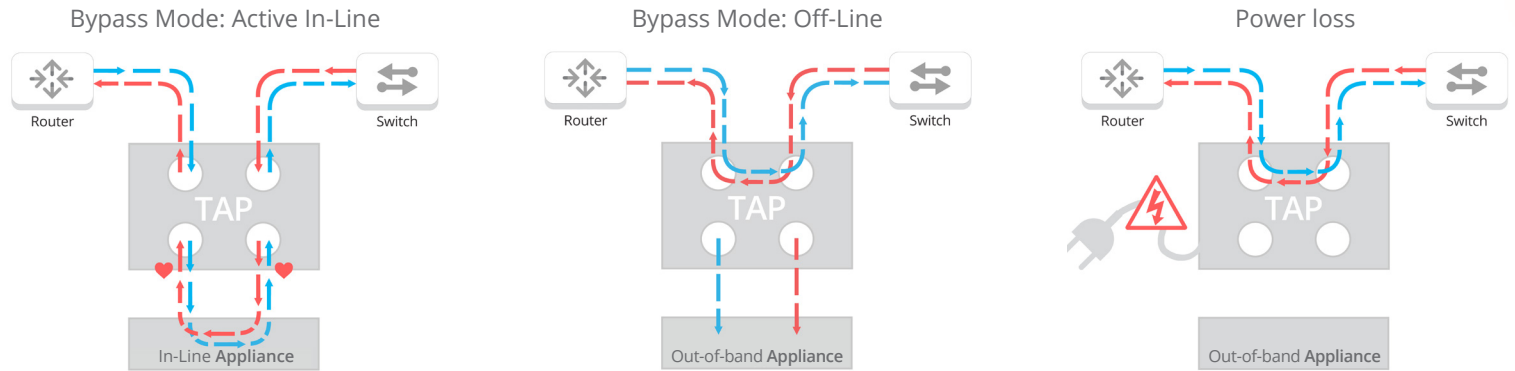


# EdgeLens® 24-Port In-Line/Out-of-Band Solution

Working towards the best solution for Palo Alto Network Users



## Bypass TAP Traffic Flow



## Applications

- Gain (4) In-Line TAPs and (16) monitoring ports in a single 1U device.
- Take your Palo Alto appliance offline without interrupting data traffic for: Updates, Maintenance and Troubleshooting.
- Guarantee 100% network uptime.
- Supports filtering, aggregating & load balancing on all ports.
- Palo Alto Networks partners enhance solutions to include network forensics, end point and BYOD appliances.
- (16) SFP cage ports forward copies of data filtered, aggregated and load balanced with egress to multiple monitoring tools.
- (4) 1G or 10G circuits can be aggregated, filtered and load balanced to a single in-line appliance.
- 16 of 24 ports employ SFP cages, accepting SFP and SFP+ transceivers for ultimate flexibility and repurposing

## The EdgeLens®

The Garland Technology 24-port EdgeLens® provides connectivity for up to four (4) in-line 10G circuits and up to eight (8) 1G or 10G appliances. The system is able to filter, aggregate and load balance - allowing your tools to receive specific data streams.

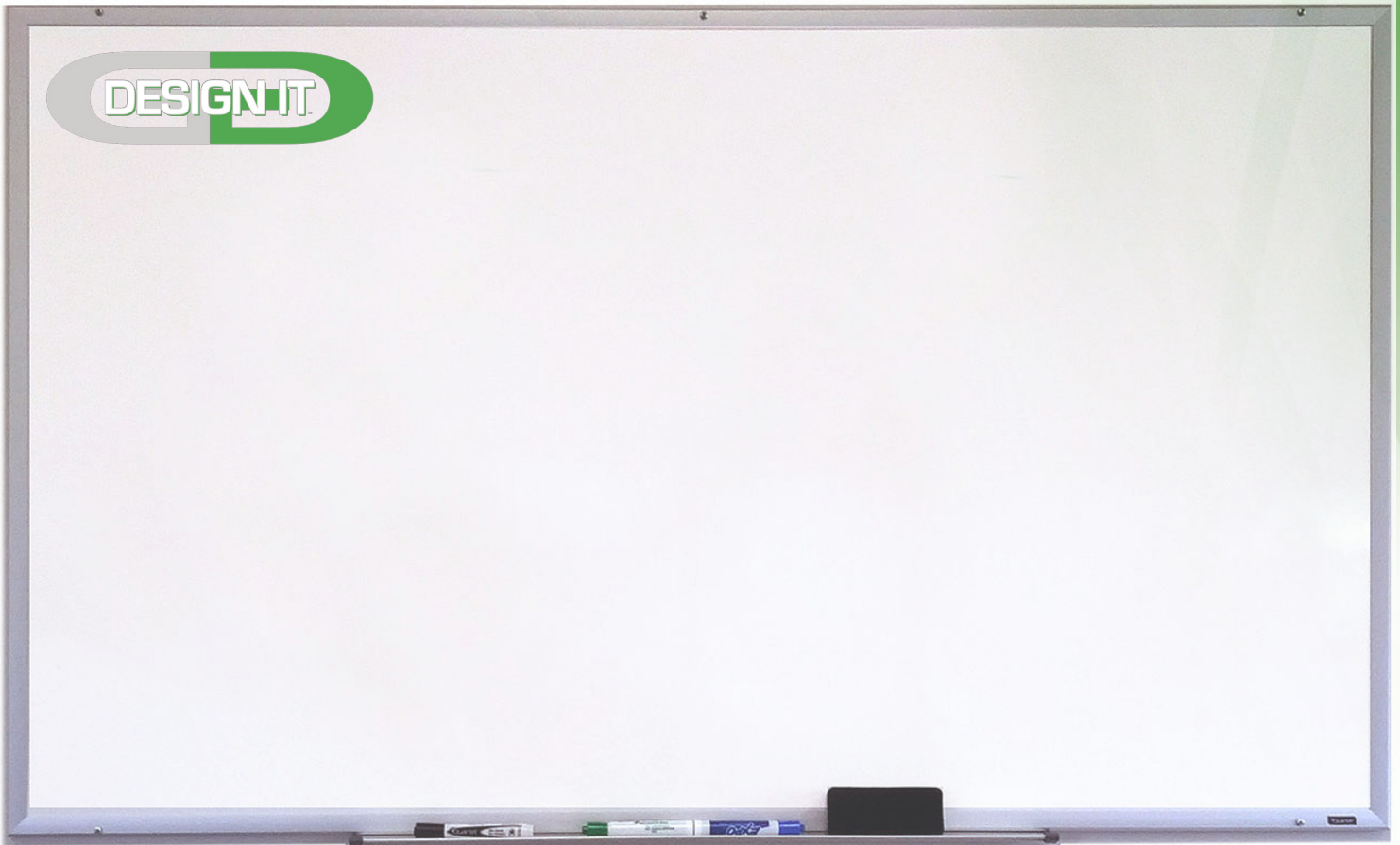
## Heartbeat Packets

Heartbeat packets are sent out of each monitoring port. If the heartbeat packets are not received from either direction, then Bypass Mode takes effect. Heartbeat packets are never sent on the live network.

## Have Questions?

fuel@garlandtechnology.com  
+716.242.8500  
garlandtechnology.com

# EdgeLens® 24-Port In-Line/Out-of-Band Solution



## Part Numbers and Ordering Information •

**Palo Alto Parts**  
for this solution:

PA-7050

## Garland Technology Ordering Information:

Part Number	Description
<b>EdgeLens® Packet Broker Hybrid Bypass TAP Systems:</b>	
<b>INT10G8SRBP16SFP+</b>	Integrated 1U chassis single bypass TAP system Supports filtering, aggregating, load balancing and regeneration Four (4) 1 Gigabit-SX/10 Gigabit-SR TAPs Sixteen (16) SFP/SFP+ ports Supports heartbeats for port pairs Dual AC hot swappable power supplies 1 Management Port; 1 Console Port
<b>INT10G8LRBP16SFP+</b>	Integrated 1U chassis single bypass TAP system Supports filtering, aggregating, load balancing and regeneration Four (4) 1 Gigabit-SX/10 Gigabit-LR TAPs Sixteen (16) SFP/SFP+ ports Supports heartbeats for port pairs Dual AC hot swappable power supplies 1 Management Port; 1 Console Port