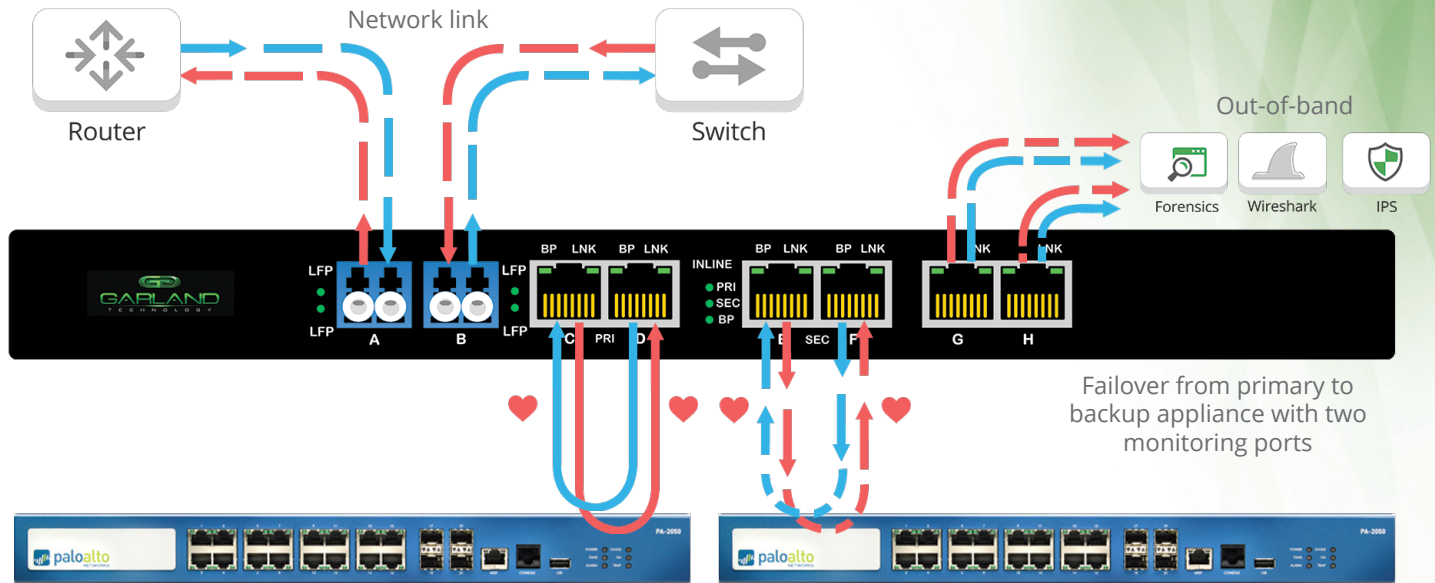
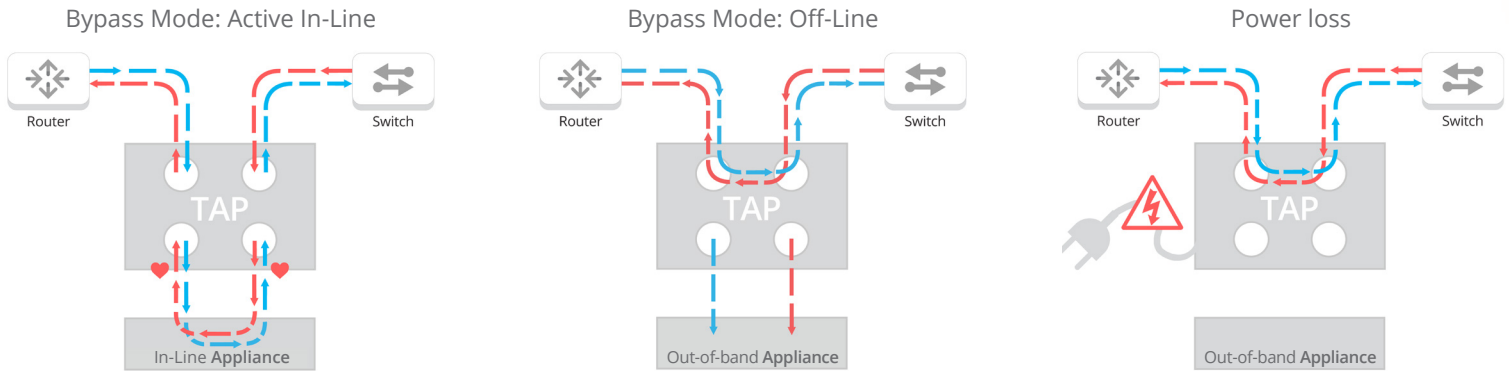


High Availability Solution

Working towards the best solution for Palo Alto Network Users



Bypass TAP Traffic Flow



Applications

- > High availability single TAP with automatic failover
- > Fail-safe protection for in-line appliances such as:
 - Firewalls
 - Intrusion Prevention Systems (IPS)
 - Data Leakage Protection (DLP)
 - Web content filters
- > Unit supports breakout, aggregation, bypass and regeneration
- > Take your Palo Alto appliance offline without interrupting data traffic for:
 - Updates
 - Maintenance
 - Troubleshooting
- > Additional ports ideal for Application Performance Monitoring or Network Performance Monitoring
- > High density solution allows multiple connections in 1U

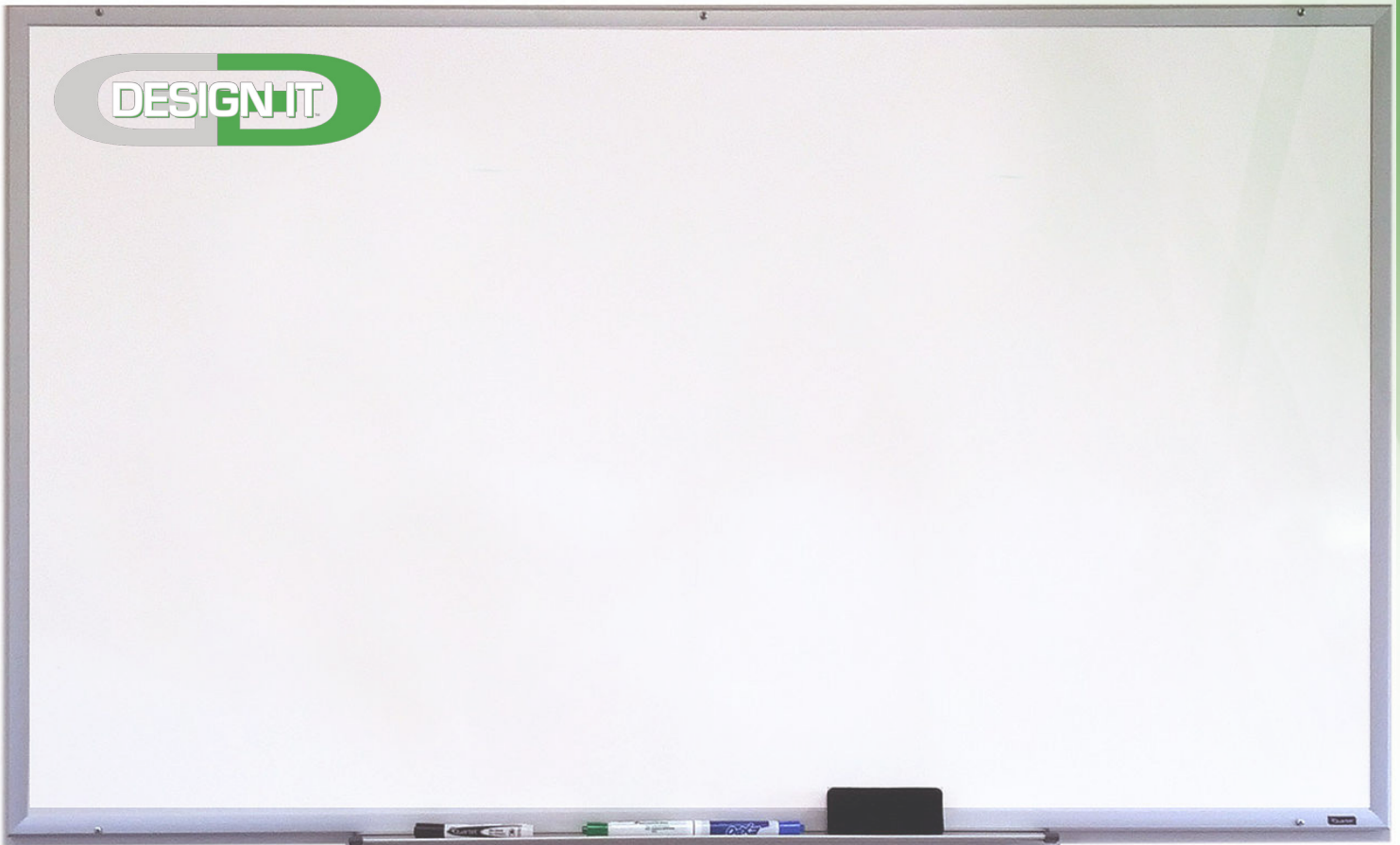
Heartbeat Packets

Heartbeat packets are sent out of each monitoring port. If the heartbeat packets are not received from either direction, then Bypass Mode takes effect. Heartbeat packets are never sent on the live network.

Have Questions?

fuel@garlandtechnology.com
+716.242.8500
garlandtechnology.com

High Availability Solution



Part Numbers and Ordering Information •

Palo Alto Parts for this solution:

PA-2050

PA-2020

PA-500

PA-200

Garland Technology Ordering Information:

| Part Number | Description |
|-------------------------------|--|
| 1U Integrated Bypass Systems: | |
| INT1G8CCBP | 1U Integrated Copper to Copper Bypass TAP (2) 100/1000 Copper TAP Ports (A, B) (6) 100/1000 Copper Monitoring Ports (C - H) Monitoring Ports C - F support Breakout, Bypass modes Monitoring Ports G - H support Breakout, Aggregation modes |
| INT1G8MCBP | 1U Integrated Multi-Mode to Copper Bypass TAP (2) 1000Base-SX Multi-Mode TAP Ports (A, B) (6) 100/1000 Copper Monitoring Ports (C - H) Monitoring Ports C - F support Breakout, Bypass modes Monitoring Ports G - H support Breakout, Aggregation modes |
| INT1G8SCBP | 1U Integrated Single-Mode to Copper Bypass TAP (2) 1000Base-X Single-Mode TAP Ports (A, B) (6) 100/1000 Copper Monitoring Ports (C - H) Monitoring Ports C - F support Breakout, Bypass modes Monitoring Ports G - H support Breakout, Aggregation modes |