

1G/10G Passive Fiber TAPs

Multi-mode | Breakout Network TAPs



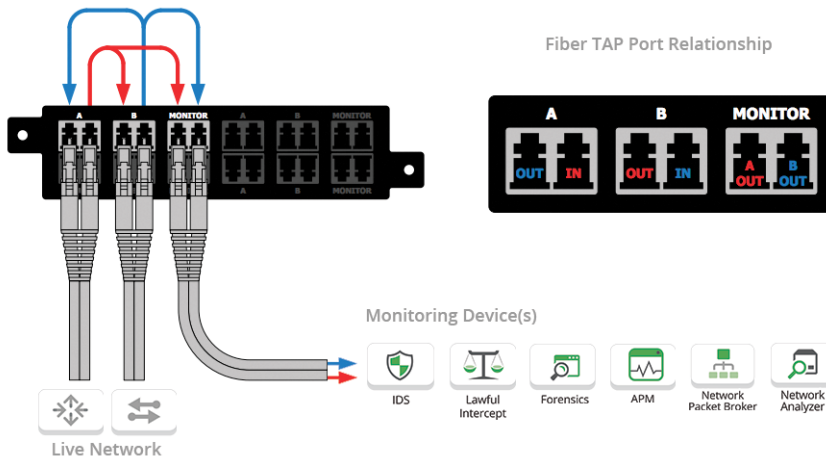
Network test access points (TAPs) are hardware tools that allow you to monitor your network. All fiber breakout TAPs are passive, purpose-built hardware devices that make a 100% copy of your network's data allowing your monitoring tools to see every bit, byte and packet.®

Passive TAPs are non-powered devices that will not cause the live network devices to lose link between one another if power is lost.

Key Features

- Tested and certified by Big Switch Networks
- Exclusive Network TAP vendor of Big Switch Networks
- 100% network visibility
- 100% secure and invisible; no IP address; no Mac address; cannot be hacked
- Passes physical layer errors
- Supports Breakout Mode
- Supports Jumbo frames
- 1U rack mount kit holds up to 4 modules, each module can have 1, 2, 3 or 4 TAPs
- Plug & Play easy installation, no configuration; no power source required

Network Flow



APPLICATIONS:

- Network & Application Monitoring
- Network & Application Analysis
- Network & Application Performance

+ Breakout Mode is ideal when utilization is very high and packet loss is not an option.

SOLUTIONS:

Passive optical TAPs are ideal for:

- IDS Intrusion Detection Systems
- APM Application Performance Monitoring
- Lawful Intercept Lawful Intercept
- Network Packet Broker Packet Capture
- DPI Deep Packet Inspection
- Network Analyzer Network Analyzer
- Forensics Forensics

Competitive Edge

• New Prism based technology that reduces bit errors on OM3 + OM4 applications, providing 100% utilization.

• Made, tested and certified in the USA



Have Questions?

sales@garlandtechnology.com
+716.242.8500
garlandtechnology.com

1G/10G Passive Fiber TAPs

Modular | Multi-mode | Breakout Network TAPs

Model #	Network Speed	Ports	# of TAPs	Split Ratio*	Wavelengths	Media	Connector/Mode
OM1501	Up to 10G		1	50/50	850/1300nm	Fiber-OM1	Fiber-LC Multi-Mode Fiber
OM1701	Up to 10G		1	70/30	850/1300nm	Fiber-OM1	Fiber-LC Multi-Mode Fiber
OM3501	Up to 10G		1	50/50	850/1300nm	Fiber-OM3	Fiber-LC Multi-Mode Fiber
OM4501	Up to 10G		1	50/50	850nm	Fiber-OM3/OM4	Fiber-LC Multi-Mode Fiber
OM4701	Up to 10G		1	70/30	850nm	Fiber-OM3/OM4	Fiber-LC Multi-Mode Fiber
OM1502	Up to 10G		2	50/50	850/1300nm	Fiber-OM1	Fiber-LC Multi-Mode Fiber
OM1702	Up to 10G		2	70/30	850/1300nm	Fiber-OM1	Fiber-LC Multi-Mode Fiber
OM3502	Up to 10G		2	50/50	850/1300nm	Fiber-OM3	Fiber-LC Multi-Mode Fiber
OM4502	Up to 10G		2	50/50	850nm	Fiber-OM3/OM4	Fiber-LC Multi-Mode Fiber
OM4702	Up to 10G		2	70/30	850nm	Fiber-OM3/OM4	Fiber-LC Multi-Mode Fiber
OM1503	Up to 10G		3	50/50	850/1300nm	Fiber-OM1	Fiber-LC Multi-Mode Fiber
OM1703	Up to 10G		3	70/30	850/1300nm	Fiber-OM1	Fiber-LC Multi-Mode Fiber
OM3503	Up to 10G		3	50/50	850/1300nm	Fiber-OM3	Fiber-LC Multi-Mode Fiber
OM4503	Up to 10G		3	50/50	850nm	Fiber-OM3/OM4	Fiber-LC Multi-Mode Fiber
OM4703	Up to 10G		3	70/30	850nm	Fiber-OM3/OM4	Fiber-LC Multi-Mode Fiber
OM1504	Up to 10G		4	50/50	850/1300nm	Fiber-OM1	Fiber-LC Multi-Mode Fiber
OM1704	Up to 10G		4	70/30	850/1300nm	Fiber-OM1	Fiber-LC Multi-Mode Fiber
OM3504	Up to 10G		4	50/50	850/1300nm	Fiber-OM3	Fiber-LC Multi-Mode Fiber
OM4504	Up to 10G		4	50/50	850nm	Fiber-OM3/OM4	Fiber-LC Multi-Mode Fiber
OM4704	Up to 10G		4	70/30	850nm	Fiber-OM3/OM4	Fiber-LC Multi-Mode Fiber
RMP-1U	1U Rack Mount Kit - Hold up to 4 Modules, each Module can have 1, 2, 3 or 4 TAPs						

Additional Specifications

Multimode Fiber Type:
Corning 62.5/125 or 50/125 micron

Directivity:
≥40dB

Temperature:
-40 to +85C

Packaging: Stainless steel tube, 3.05mm (dia) x 55mm (len)

Additional Dimensions:
(WxHxD): 3.9" x 1.72" x 6.8" (99.06mm x 43.69mm x 172.72mm)

Weight:
1.45 lbs (0.66 kg)

Ambient Temperature:
0C to +40C / +32F to +104F

Storage Temperature:
-20C to +70C / -4F to +158F

Humidity:
90% non-condensing

*There is no power needed for these TAPs

* Custom split ratios are available in 60/40, 80/20 or 90/10, please inquire.

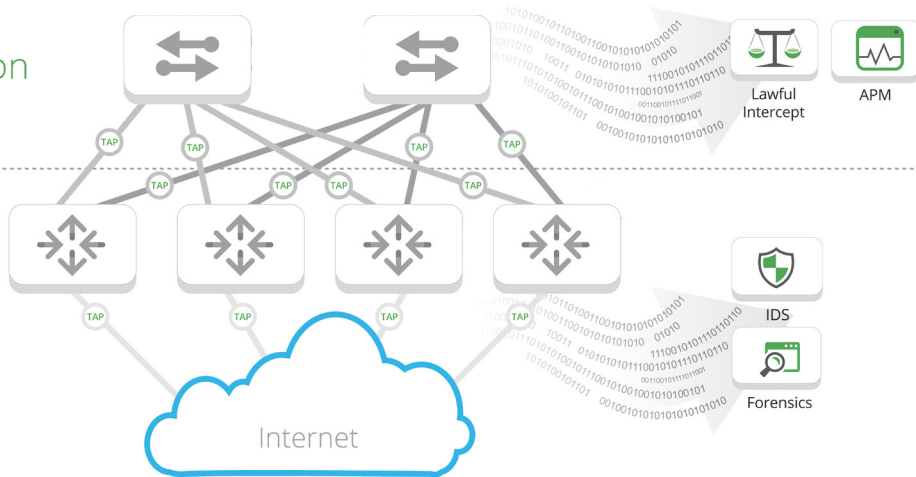
Use Case

Distribution

10G

Access

1G



Insertion Loss

Split Ratio*	Network Port	Monitor Port
50/50	4.5dB	4.5dB
60/40	3.1dB	5.1dB
70/30	2.4dB	6.3dB
80/20	1.8dB	8.1dB
90/10	1.3dB	11.5dB

big switch networks

Garland Technology Network TAPs
A Certified Big Switch Networks Solution



This document is for informational purposes only. The information in this document, believed by Garland Technology to be accurate as of the date of publication, is subject to change without notice. Garland Technology assumes no responsibility for any errors or omissions in this document and shall have no obligation to you as a result of having made this document available to you or based upon the information it contains. ©2015 Garland Technology LLC. All Rights Reserved