

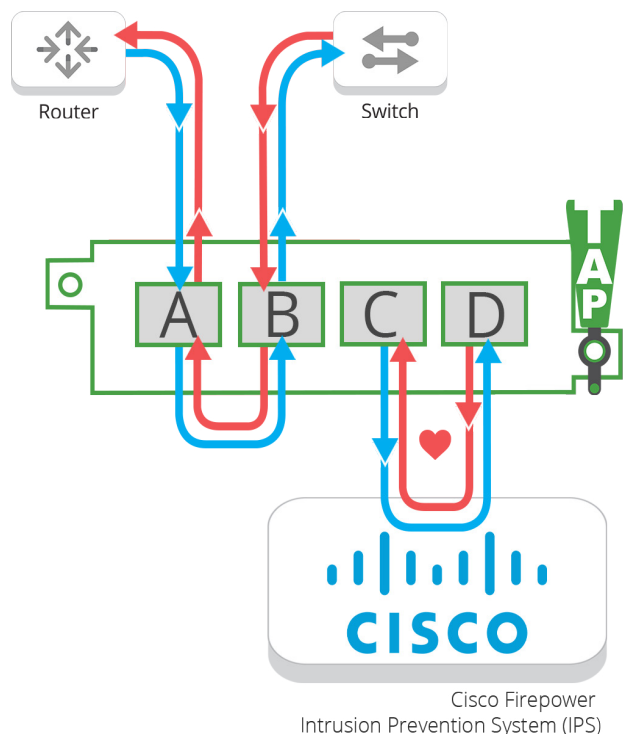
# Empower Security Operations with Complete Network Resiliency

A Joint Solution from Cisco and Garland Technology

## Ensure Complete 360° Visibility with Your Inline Cisco Appliance

Network security requires complete visibility and intelligence covering all threats for comprehensive protection. The strong relationship between Garland Technology and Cisco spans across a spectrum of supported products ensuring 100% network uptime and visibility. As a preferred Cisco Solution Partner, Garland Technology has solidified the importance of this relationship providing maximum visibility and access for Cisco security and performance monitoring solutions. Garland Technology's network test access points (TAPs) provide a foundation for Cisco Enterprise Network visibility fabric by ensuring all the data feed the solution.

Garland Technology's Inline Edge Security solutions provides bypass connectivity, easily allowing for complete lifecycle management of inline appliances, like Cisco Firewalls or Firepower NGIPS, while replicating traffic for use with all out-of-band tools for further analysis. The solution provides increased resiliency of the network, while providing the functionality to expedite troubleshooting and shorten maintenance windows.



## Lifecycle Management of your Inline Security Appliance

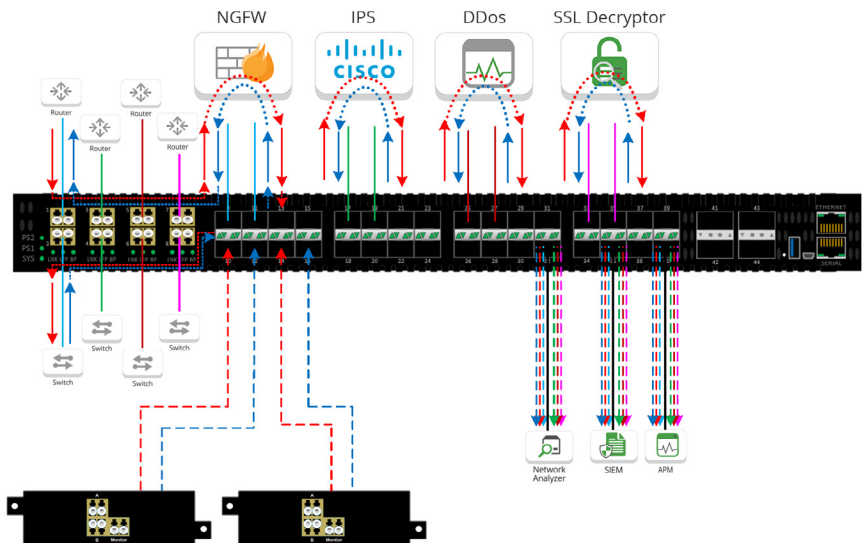
The external Bypass TAP provides additional functionality not found in incorporated bypass functionality, allowing networks to be easily evaluated, optimized, and validated with an inline appliance. The combination of failsafe on the network ports and the heartbeat functionality of a bypass TAP provides an additional layer of fault tolerance to live wire data traffic. Without impacting the availability of the network, lifecycle management provides the flexibility to sandbox or pilot new tools in a real environment with live packet data.

# Manage Multiple Inline Security Appliances

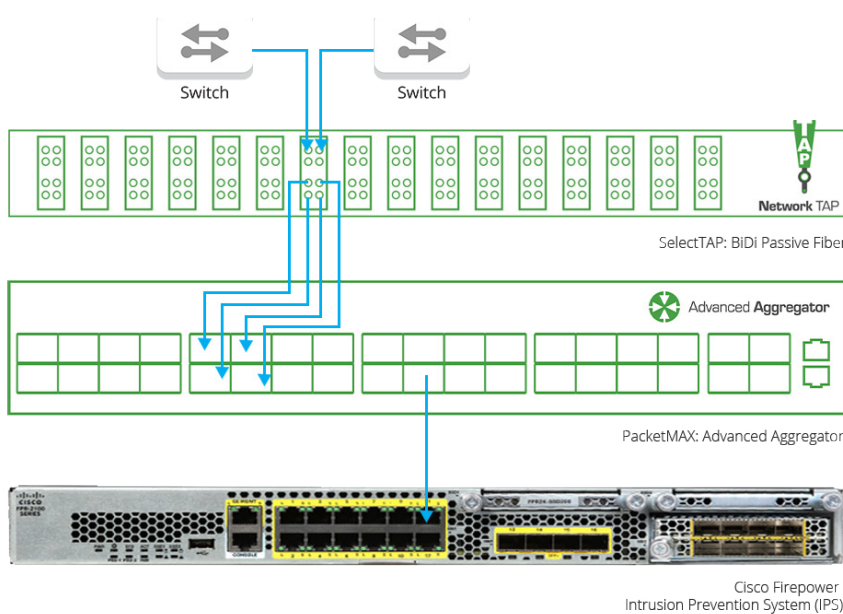
Whether you have one inline tool, or many, adding proper inline architecture provides flexibility and interoperability to your network. Garland's EdgeLens® Inline Security Packet Brokers provide failsafe and bypass functionality, critical for network uptime, combined with the high density and functionality of packet brokers, allowing you to filter, aggregate, and load balance network traffic. You gain the ability to manage multiple inline tools, sandbox, and easily expand your security stack without having to bring the network down.

Key features include:

- 10G Chaining of up to 4 inline security appliances
- Advanced Load Balancing of 4 inline security appliances
- Send additional copies of live, wire traffic to out-of-band monitoring tools.
- Perform a comparative analysis of the packet data before and after it is processed by inline tools [IPS, Firewall] to ensure they are working properly to secure the network.



# Supports BiDirectional Optical Technology by Cisco



For out-of-band network monitoring and analysis, Garland's unique BiDi design provides the flexibility to TAP, from 1G/10G/40G/100G for both Single-Mode and Multi-Mode, and OS2 to OM5 BiDi Fiber. BiDi Network TAPs in tandem with Garland's PacketMAX™: Advanced Aggregator are effective to ensure existing infrastructure visibility when upgrading network speeds (e.g. from 10G to 40G/100G). By using 40G/100G BiDi technology, which uses two parallel multi-mode fiber strands to transmit the signal bidirectionally rather than unidirectionally, network managers are able to achieve 100G traffic over their existing cable infrastructure.

# Garland Technology Network TAPs and Packet Brokers

Garland Technology provides a full platform of network access products including a range of network TAPs and Network Packet Broker devices, supporting the entire wire spectrum from 10/100M copper to 1G/10G/40G/100G.

## Key Capabilities

- **Complete Network Visibility** by passing all live wire data
- **Ensure No Dropped Packets** for out-of-band tools
- **Quality standard**, all TAPs are tested with live network data and validated
- **100% failsafe packet capture** – built-in failsafe and/or heartbeat technology.
- **Reliable traffic aggregation, load balancing, and filtering** – full control over traffic behavior and flexibility for aggregation and regeneration.

# Cisco Security EtherChannel

With Cisco's integrated portfolio and industry-leading threat intelligence, Cisco gives you the scope, scale, and capabilities to keep up with the complexity and volume of threats. Putting security above everything helps you innovate while keeping your assets safe. Cisco prioritizes security in all that we do. Only with Cisco can you attain effective network security to face tomorrow's evolving threats.

## Key Capabilities

- **Visibility** - See more contextual data from your network and fine-tune your security.
- **Efficacy** - Cisco leverages the world's largest threat detection network to bring security effectiveness to every Cisco security product.
- **Operational cost** - Use automation to increase operational efficiency and reduce overhead by separating actionable events from noise.
- **Flexibility** - Deployed at the perimeter, at the data center distribution/core, or behind the firewall to protect mission-critical assets, guest access, and WAN connections.

## About Cisco

Cisco (NASDAQ: CSCO) is the worldwide technology leader that has been making the Internet work since 1984. Our people, products, and partners help society securely connect and seize tomorrow's digital opportunity today. Discover more at [newsroom.cisco.com](http://newsroom.cisco.com) or on Twitter at @Cisco.



Have Questions?

[sales@garlandtechnology.com](mailto:sales@garlandtechnology.com) | +1 716.242.8500 | [garlandtechnology.com](http://garlandtechnology.com)

Garland Technology is an industry leader delivering network products and solutions for enterprises, service providers, and government agencies worldwide. Since 2010, Garland Technology has developed the industry's most reliable test access points (TAPs), enabling data centers to address IT challenges and gain complete network visibility. For more information, or learn more about the inventor of the first bypass TAP, visit [GarlandTechnology.com](http://GarlandTechnology.com) or [@GarlandTech](https://twitter.com/GarlandTech).

