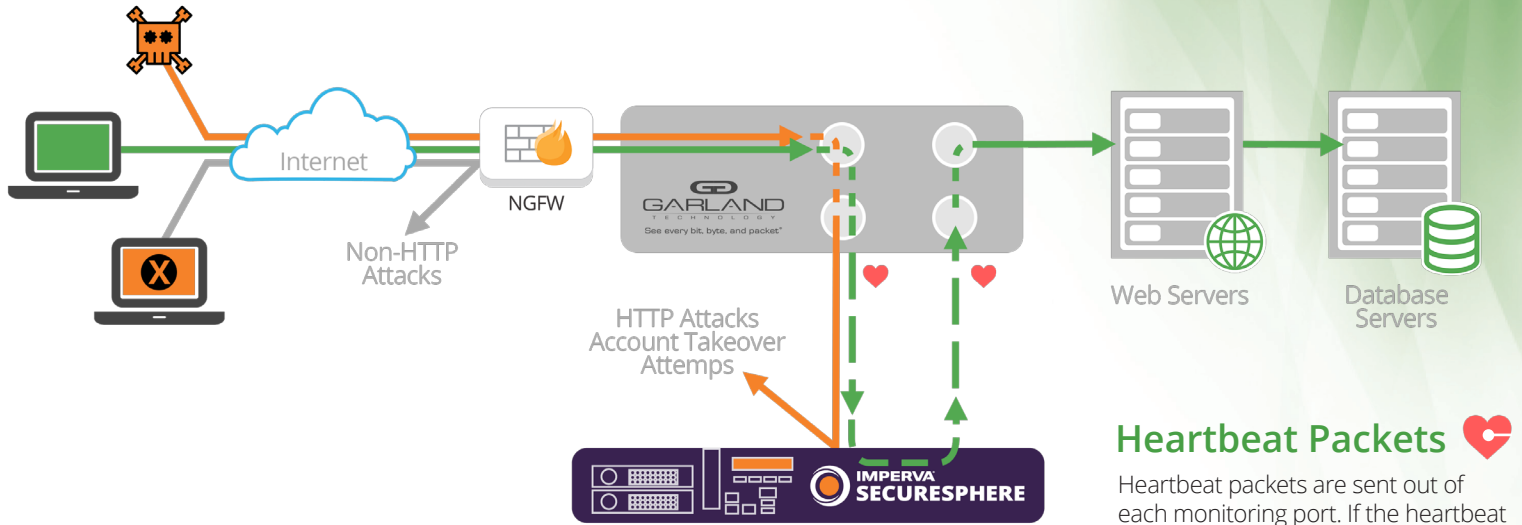


1G Portable Bypass TAP Solution

For Imperva SecureSphere Web Application Firewall



Heartbeat Packets

Heartbeat packets are sent out of each monitoring port. If the heartbeat packets are not received from either direction, then Bypass Mode takes effect. Heartbeat packets are never sent on the live network.

Model #	Network Speed	Media		Modes				Packet Injection Support
		Network	Monitor	Breakout	Aggregation	Regeneration/ SPAN	Bypass	
P1GCCBP	100/1000M	2 Copper-RJ45	2 Copper-RJ45	x	x	x	x	Yes
P1GCSBP	100/1000M	Copper-RJ45	2 SFP	x	x	x	x	No
P1GMCBP	1G	2 SX Multi-mode, Fiber-LC	2 Copper-RJ-45	x	x	x	x	Yes
P1GMSBP	1G	2 SX Multi-mode, Fiber-LC	2 SFP	x	x	x	x	No
P1GSCBP	1G	2 LX Single-mode, Fiber-LC	2 Copper-RJ-45	x	x	x	x	Yes
P1GSSBP	1G	2 LX Single-mode, Fiber-LC	2 SFP	x	x	x	x	No
RMP-1U	1U Rack Mount Kit - Hold up to 4 Portable TAPs							




RMP-1U

Key Features •

- Cost Effective
- Portable, on site troubleshooting
- Easy configuration; switches on back.
- Supports link failure propagation (LFP) in aggregation mode.
- Supports Media Conversion for: Fiber 1G (SX, LX to copper/SFP); fiber 1G (SR, LR and ER).
- Supports Jumbo frames.
- Supports breakout, aggregation, regeneration and bypass modes.
- Passes physical errors
- 100% secure and invisible; no IP address, no Mac address; cannot be hacked.
- Made, tested and certified in USA.

Competitive Edge

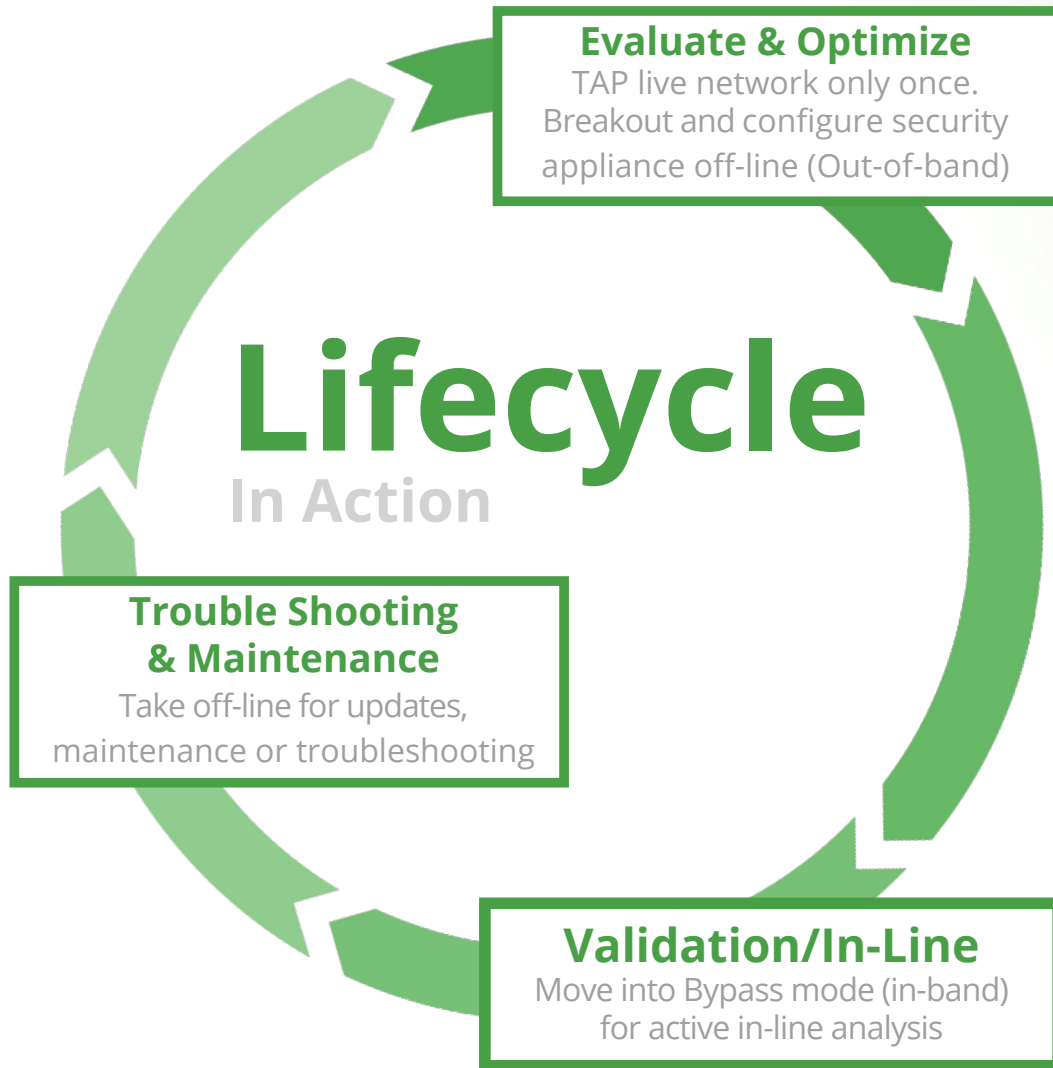
- Portable, Plug & Play design, zero configuration.
- Bypass TAP Invented by Jerry Dillard, CTO and Co-Founder.
- Tested and Certified 

Have Questions?

sales@garlandtechnology.com
+716.242.8500
garlandtechnology.com

A Best Practice Guide

For deploying and managing your in-line appliances.



Why does Imperva partner with Garland Technology as their bypass network TAP vendor?

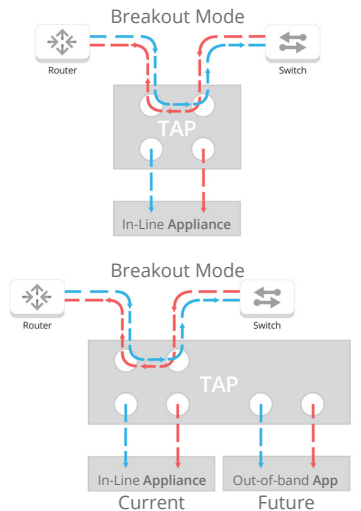
To ensure 100% uptime and visibility for active in-band security appliances.

Network Bypass TAPs have a variety of features, including the ability to go from breakout, aggregating, regenerating and bypass modes meeting your needs today and tomorrow.

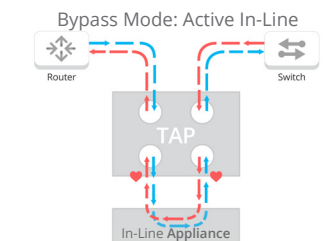
Advantages

- Network uptime
- Expedited problem resolution
- Anytime access to in-line appliance
- Peace of mind

Evaluate & Optimize



Validation/In-Line



Trouble Shooting & Maintenance

