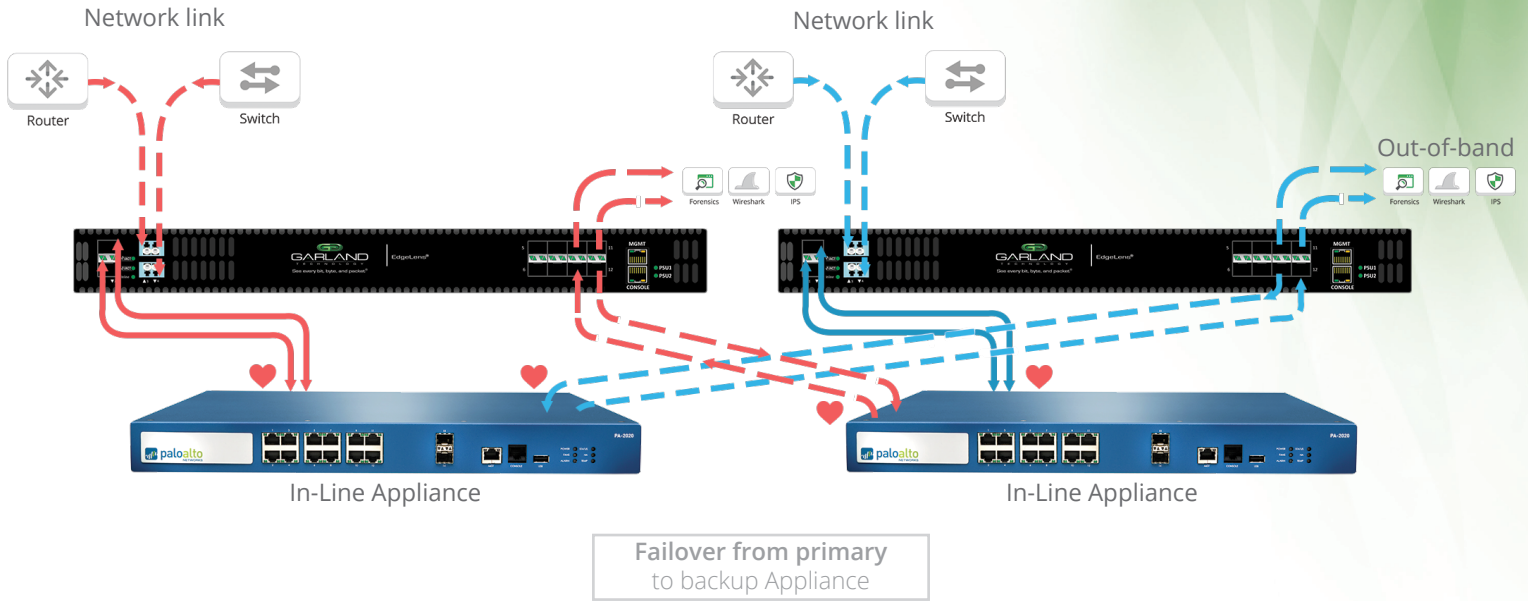


EdgeLens® Crossfire Design

10G Solution for PA-5050 and PA-5060



Part Number	Description
EdgeLens® Packet Broker Hybrid Bypass TAP Systems:	
INT10G2SRBP10SFP+	<ul style="list-style-type: none"> • Integrated 1U chassis single bypass TAP system • Supports filtering, aggregating, load balancing and regeneration • One (1) 1 Gigabit-SX/10 Gigabit-SR TAP • Ten (10) SFP/SFP+ ports • Supports heartbeats for port pairs • Dual AC hot swappable power supplies • 1 Management Port • 1 Console Port
INT10G2LRBP10SFP+	<ul style="list-style-type: none"> • Integrated 1U chassis single bypass TAP system • Supports filtering, aggregating, load balancing and regeneration • One (1) 1 Gigabit-SX/10 Gigabit-LR TAP • Ten (10) SFP/SFP+ ports • Supports heartbeats for port pairs • Dual AC hot swappable power supplies • 1 Management Port • 1 Console Port

FEATURES:

- High Availability Active/Active and Active/Passive design
- Manage in-band and out-of-band appliances.

Heartbeat Packets

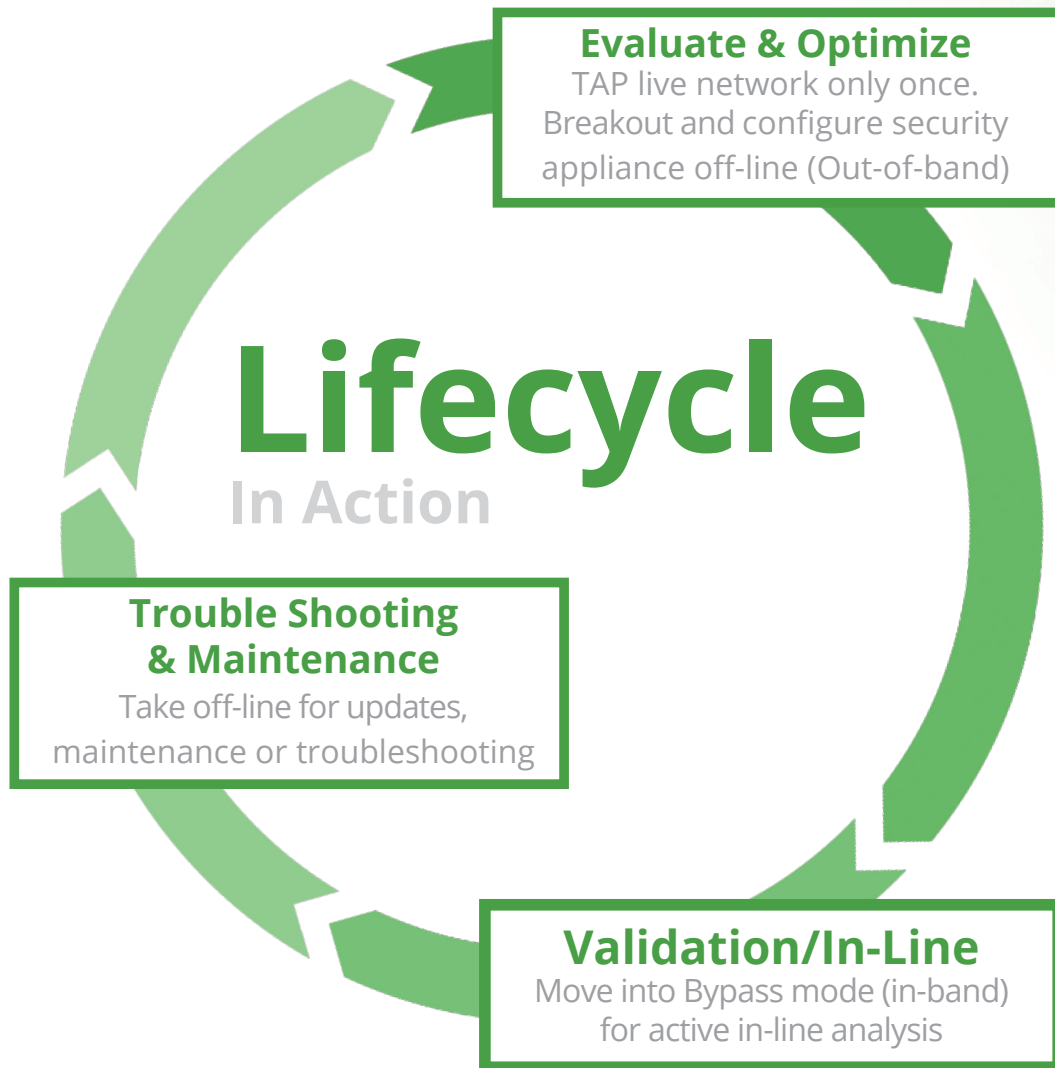
Heartbeat packets are sent out of each monitoring port. If the heartbeat packets are not received from either direction, then Bypass Mode takes effect. Heartbeat packets are never sent on the live network.

Have Questions?

fuel@garlandtechnology.com
+716.242.8500
garlandtechnology.com

A Best Practice Guide

For deploying and managing your in-line appliances.



Why does Palo Alto partner with Garland Technology as their bypass network TAP vendor?

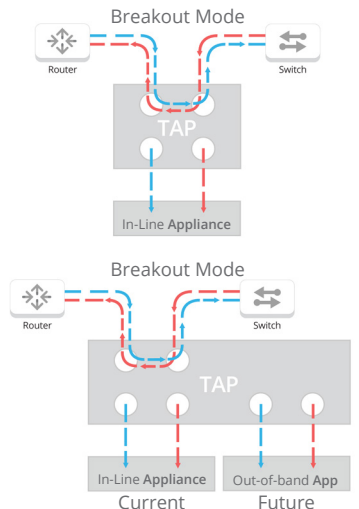
To ensure 100% uptime and visibility for active in-band security appliances.

Network Bypass TAPs have a variety of features, including the ability to go from breakout, aggregating, regenerating and bypass modes meeting your needs today and tomorrow.

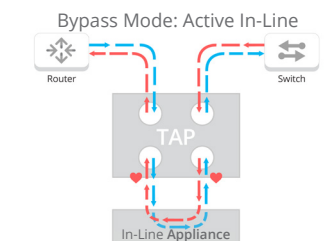
Advantages

- Network uptime
- Expedited problem resolution
- Anytime access to in-line appliance
- Peace of mind

Evaluate & Optimize



Validation/In-Line



Trouble Shooting & Maintenance

