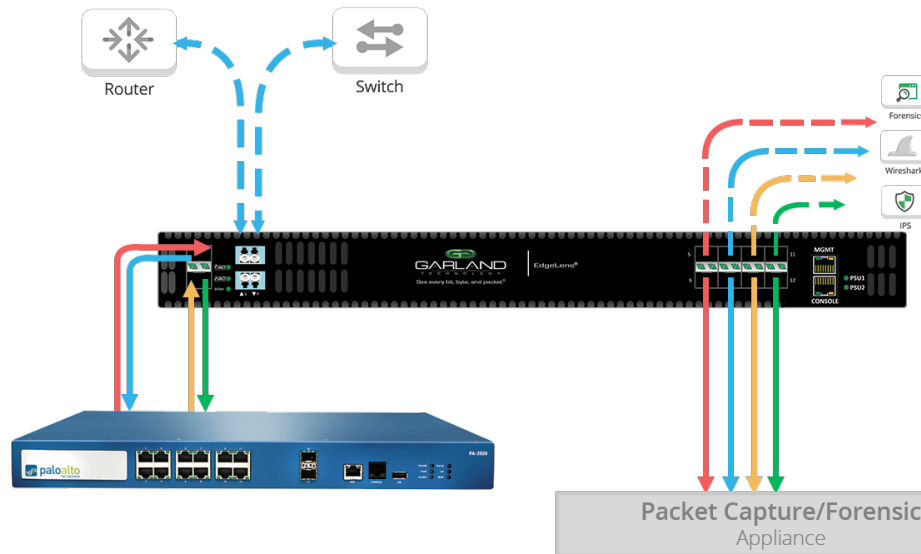
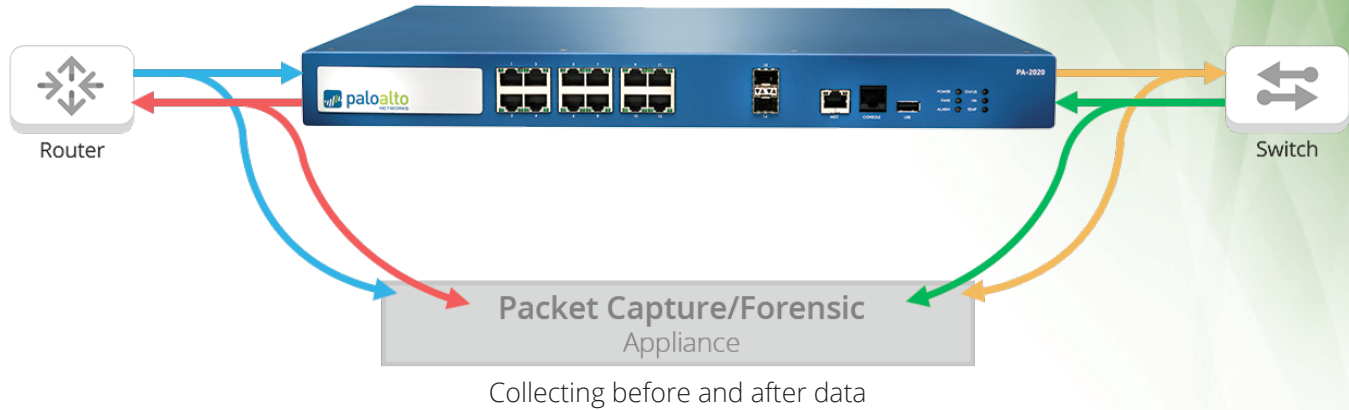


EdgeLens® Packet Capture Solution

10G Solution for PA-5050 and PA-5060



Part Number	Description
EdgeLens® Packet Broker Hybrid Bypass TAP Systems:	
INT10G2SRBP10SFP+	<ul style="list-style-type: none"> • Integrated 1U chassis single bypass TAP system • Supports filtering, aggregating, load balancing and regeneration • One (1) 1 Gigabit-SX/10 Gigabit-SR TAP • Ten (10) SFP/SFP+ ports • Supports heartbeats for port pairs • Dual AC hot swappable power supplies • 1 Management Port • 1 Console Port
INT10G2LRBP10SFP+	<ul style="list-style-type: none"> • Integrated 1U chassis single bypass TAP system • Supports filtering, aggregating, load balancing and regeneration • One (1) 1 Gigabit-SX/10 Gigabit-LR TAP • Ten (10) SFP/SFP+ ports • Supports heartbeats for port pairs • Dual AC hot swappable power supplies • 1 Management Port • 1 Console Port

FEATURES:

- Manage in-band and out-of-band appliance
- Root cause analysis
- Historical lookback
- Validate policy changes

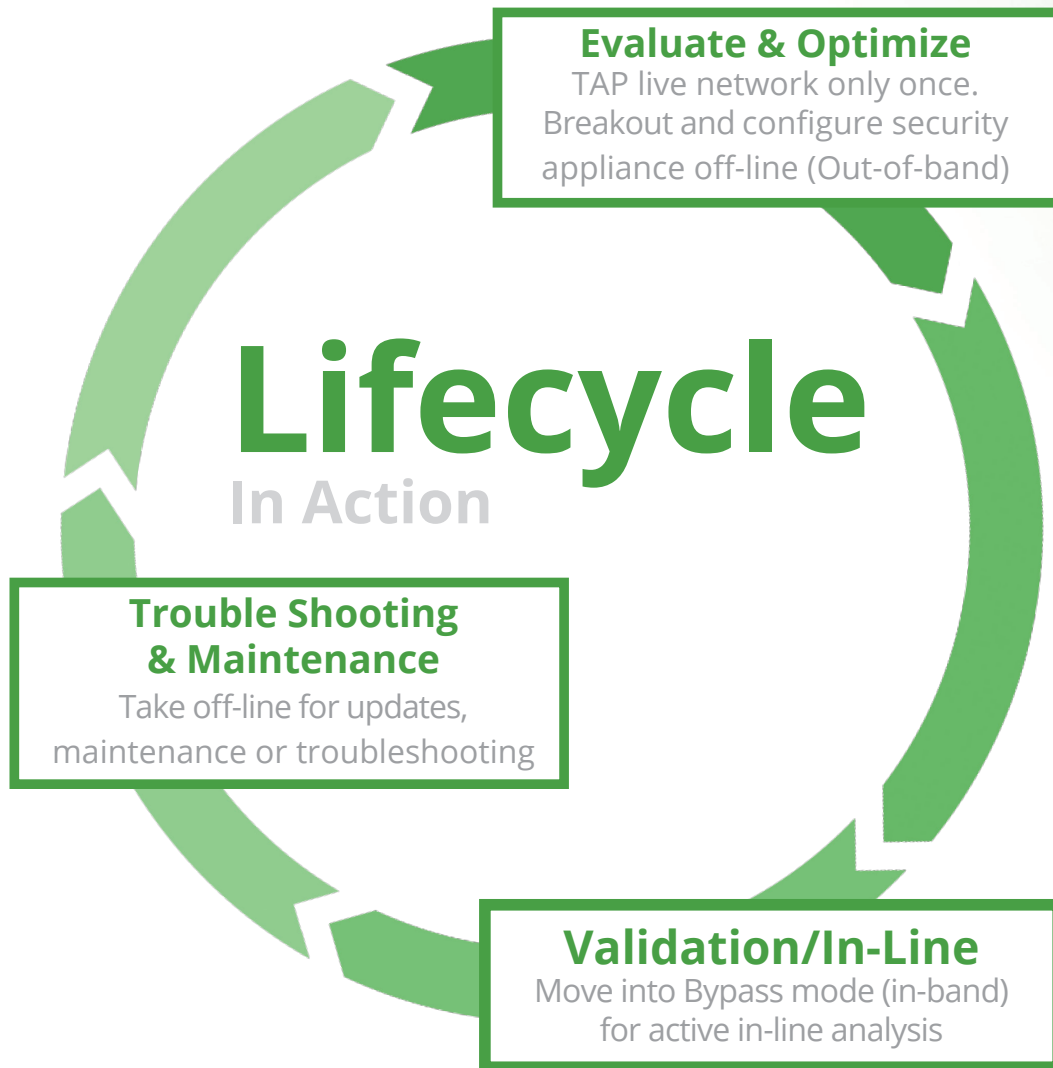


Have Questions?

fuel@garlandtechnology.com
+716.242.8500
garlandtechnology.com

A Best Practice Guide

For deploying and managing your in-line appliances.



Why does Palo Alto partner with Garland Technology as their bypass network TAP vendor?

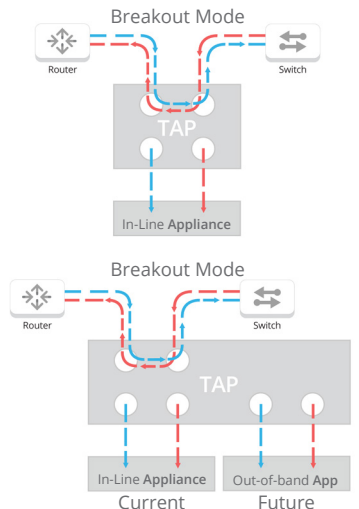
To ensure 100% uptime and visibility for active in-band security appliances.

Network Bypass TAPs have a variety of features, including the ability to go from breakout, aggregating, regenerating and bypass modes meeting your needs today and tomorrow.

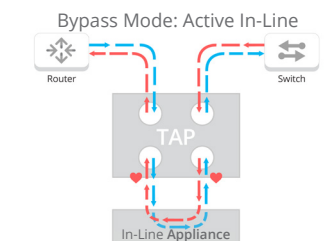
Advantages

- Network uptime
- Expedited problem resolution
- Anytime access to in-line appliance
- Peace of mind

Evaluate & Optimize



Validation/In-Line



Trouble Shooting & Maintenance

