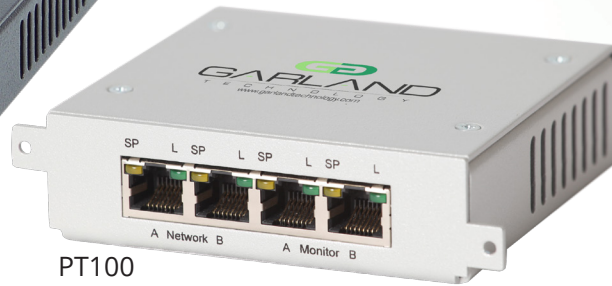


Copper Network TAP

10M/100M or 10/100/1000M (1G) | Portable | Breakout



P1GCCB



PT100

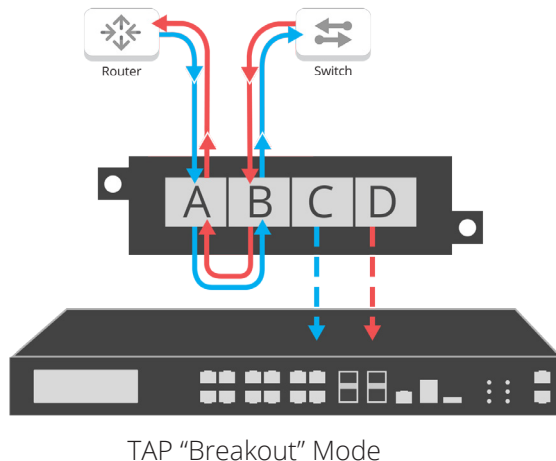
Network test access points (TAPs) are hardware tools that allow you to monitor your network. These purpose-built hardware devices copy 100% of your networks data allowing your monitoring tools to see every bit, byte and packet.®

These portable network TAPs are ideal for 10/100M or 10/100/1000M copper network monitoring and troubleshooting. This is a must-have item for any network trouble-shooting toolbox.

Key Features

- Copper network and monitoring ports
- DC powered models
- 1U rack mount holds up to 4 portable TAPs
- Link failure propagation
- 100% secure and invisible; no IP address, no MAC address, cannot be hacked
- Lowest latency TAP
- Easy to configure with switches on back
- Optional link speed synchronization
- Passes physical layer errors
- Supports Jumbo frames
- Available in passive and fail-safe models
- PoE (Power over Ethernet)
- Supports tap 'breakout' Mode
- Made, tested and certified in the USA

Network Flow



APPLICATIONS:

- Network & Application Monitoring
- Network & Application Analysis
- Network & Application Performance

+ Breakout Mode is ideal when utilization is very high and packet loss is not an option.

SOLUTIONS:

Copper Network TAPs are ideal for:

- Intrusion Detection Systems
- Application Performance Monitoring
- Lawful Intercept
- Packet Capture
- Deep Packet Inspection
- Network Analyzer
- Forensics

Competitive Edge

- Noiseless operation. No moving parts.
- Portable - A trouble-shooting tool kit must have.
- Tested and Certified




Have Questions?

sales@garlandtechnology.com
+716.242.8500
garlandtechnology.com

Copper Network TAP

10M/100M or 10/100/1000M (1G) | Portable

Model #	Network Speed	Chassis Size	# of TAPs	Passive	Power	Serial Port	Media	Connector/Mode
RMP-1U		1U Rack Mount Kit - Hold up to 4 Portable TAPs						
PT100	10/100Mbps	Portable	1	Yes	DC	No	Copper	Copper - RJ45
P1GCCB	10/100/1000Mbps (1Gbps)	Portable	1	Failsafe Design	DC	No	Copper	Copper - RJ45

Additional Specifications

PIGCCB Dimensions (HxWxD): 1.15" x 3.9" x 6.5"

(29.21mm x 99.06mm x 165.10mm)

Weight: 0.7 lbs (0.3175 kg)

Ambient Temperature: 0C to +40C / +32F to +104F

Storage Temperature: -20C to +70C / -4F to +158F

Voltage: 5VDC

Current (nominal): 1.6 Amps

Maximum consumption: 8 Watts

Humidity: 90% non-condensing

PT100 Dimensions (HxWxD): 1.15" x 3.9" x 3.84"

(29.21mm x 99.06mm x 97.6mm)

Weight: 0.45 lbs (0.204 kg)

Ambient Temperature: 0C to +40C / +32F to +104F

Storage Temperature: -20C to +70C / -4F to +158F

Voltage: 5VDC

Current (nominal): 0.36 Amps

Maximum consumption: 1.8 Watts

Humidity: 90% non-condensing