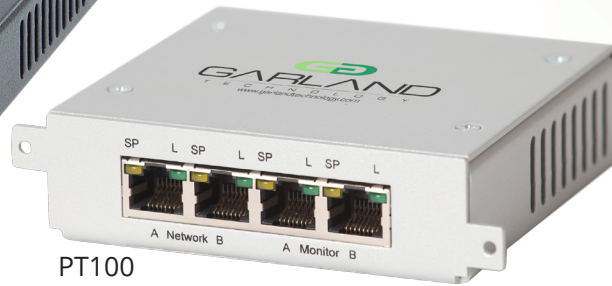


Copper Network TAPs

10M/100M or 10/100/1000M (1G) | Portable



P1GCCB



PT100

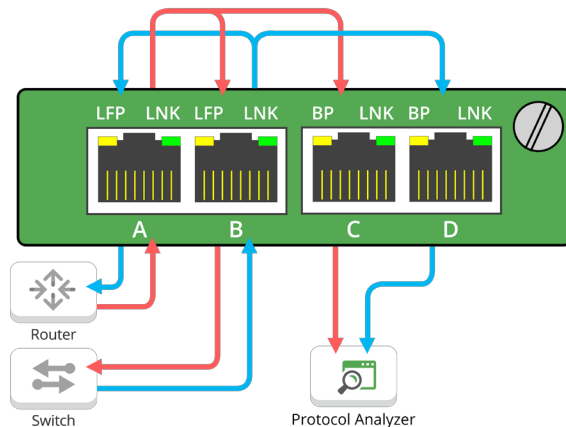
Portable TAPs are an essential trouble-shooting tool bag kit item. This portable inline device is ideal for remote sites and easy to install into any network segment.

Network test access points (TAPs) are hardware tools that allow you to monitor your network. These purpose-built hardware devices copy 100% of your networks data allowing your monitoring tools to see every bit, byte and packet.®

Key Features

- Copper network and monitoring ports
- DC powered models
- 1U rack mount holds up to 4 portable TAPs
- Link failure propagation
- 100% secure and invisible; no IP address, no MAC address, cannot be hacked
- Lowest latency TAP
- Easy to configure with switches on back
- Optional link speed synchronization
- Passes physical layer errors
- Supports Jumbo frames
- Available in passive and fail-safe models
- PoE (Power over Ethernet)
- Supports Breakout Mode
- Made, tested and certified in the USA

Network Flow



APPLICATIONS:

- Network & Application Monitoring
- Network & Application Analysis
- Network & Application Performance

+ Breakout Mode is ideal when utilization is very high and packet loss is not an option.

SOLUTIONS:

Copper Network TAPs are ideal for:

- IDS Intrusion Detection Systems
- APM Application Performance Monitoring
- Lawful Intercept
- Packet Capture
- Deep Packet Inspection
- DPI
- Network Analyzer
- Forensics

Competitive Edge

- Noiseless operation. No moving parts.
- Portable - A trouble-shooting tool kit must have.
- Tested and Certified




Have Questions?

sales@garlandtechnology.com
+716.242.8500
garlandtechnology.com

Copper Network TAPs

10M/100M or 10/100/1000M (1G) | Portable

Model #	Network Speed	Chassis Size	# of TAPs	Passive	Power	Serial Port	Media	Connector/Mode
RMP-1U		1U Rack Mount Kit - Hold up to 4 Portable TAPs						
PT100	10/100M	Portable	1	Yes	DC	No	Copper	Copper - RJ45
PIGCCB	10/100/1000M (1G)	Portable	1	Failsafe Design	DC	No	Copper	Copper - RJ45

Additional Specifications

PIGCCB Dimensions (HxWxD): 1.15" x 3.9" x 6.5"

(29.21mm x 99.06mm x 165.10mm)

Weight: 0.7 lbs (0.3175 kg)

Ambient Temperature: 0C to +40C / +32F to +104F

Storage Temperature: -20C to +70C / -4F to +158F

Voltage: 5VDC

Current (nominal): 1.6 Amps

Maximum consumption: 8 Watts

Humidity: 90% non-condensing

PT100 Dimensions (HxWxD): 1.15" x 3.9" x 3.84"

(29.21mm x 99.06mm x 97.6mm)

Weight: 0.45 lbs (0.204 kg)

Ambient Temperature: 0C to +40C / +32F to +104F

Storage Temperature: -20C to +70C / -4F to +158F

Voltage: 5VDC

Current (nominal): 0.36 Amps

Maximum consumption: 1.8 Watts

Humidity: 90% non-condensing

Use Case

