

Filtering Network TAPs with Remote Management

1G | Portable | Supports TAP "Breakout," Aggregation, Regeneration/SPAN and Filtering Modes



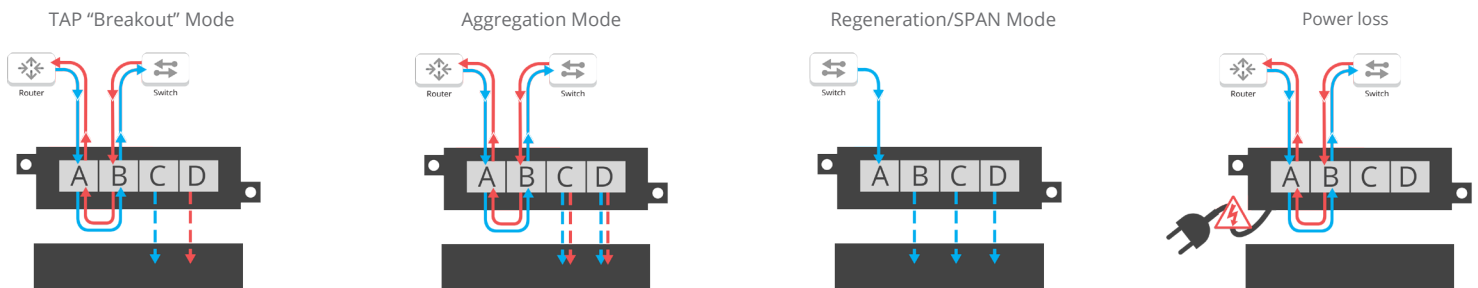
Network test access points (TAPs) are hardware tools that allow you to monitor and access your network. Filtering TAPs allow you to filter out the traffic that is not needed by the tool to perform its function.

Filtering ensures that monitoring ports do not become oversubscribed with unneeded data. Filtering TAPs are purpose-built hardware devices that let you see every bit, byte, and packet.®

Key Features

- Easy remote access and management with GUI/CLI management card
- Set utilization alerts to avoid oversubscription
- Supports breakout, aggregation, regeneration/SPAN and filtering modes
- Copper TAPs support Link Speed Synchronization
- 100% secure and invisible; no IP address, no MAC address; cannot be hacked
- Supports jumbo frames
- 1U rack mount holds up to 4 portable TAPs
- Made, tested and supported in USA

Network Flow



APPLICATIONS:

- Remotely manage port utilization
- Filter and aggregate to monitoring/analyzer tools
- Switch to breakout mode for full utilization to capture 100% traffic
- Capture full duplex traffic from both directions

SOLUTIONS:

Filtering TAPs are ideal for:



Competitive Edge

- Exclusive remote management.
- Flexible design supports breakout, aggregation, regeneration/SPAN, and filtering modes.
- Tested and Certified.



Have Questions?

sales@garlandtechnology.com
+716.242.8500
garlandtechnology.com

Filtering Network TAPs with Remote Management

1G | Portable | Supports TAP "Breakout," Aggregation, Regeneration/SPAN and Filtering Modes

Model #	Network Speed	Media		Modes				
		Network	Monitor	Breakout	Filtering	Aggregation	Regeneration	Bypass
RMP-1U	1U Rack Mount Kit - Holds up to 4 Portable TAPs							
P1GCCFE	10/100/1000M	2 RJ-45 Copper	2 RJ-45 Copper	Yes	Yes	Yes	Yes	No
P1GCSFE	10/100/1000M	2 RJ-45 Copper	2 SFP	Yes	Yes	Yes	Yes	No
P1GMCFE	1G	2 SX Multi-mode	2 RJ-45 Copper	Yes	Yes	Yes	Yes	No
P1GMSFE	1G	2 SX Multi-mode	2 SFP	Yes	Yes	Yes	Yes	No
P1GSCFE	1G	2 LX Single-mode	2 RJ-45 Copper	Yes	Yes	Yes	Yes	No
P1GSSFE	1G	2 LX Single-mode	2 SFP	Yes	Yes	Yes	Yes	No

Additional Specifications

Voltage: 5 DC

Current: < 1.6 Amps

Max. Consumption: < 8 Watts

Ambient Temp.: 0C to +40C / +32F to +104F

Operating Re. Humidity: 90% non-condensing

Dimensions (HxWxD):

1.15" x 3.9" x 6.5"

(29.21 mm x 99.06mm x 165.10mm)

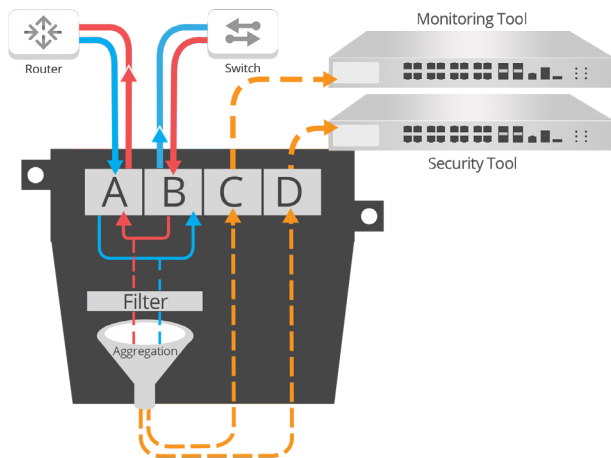
Weight: 0.7lbs (0.317kg)



Back view of portable TAP
with serial and ethernet remote management.

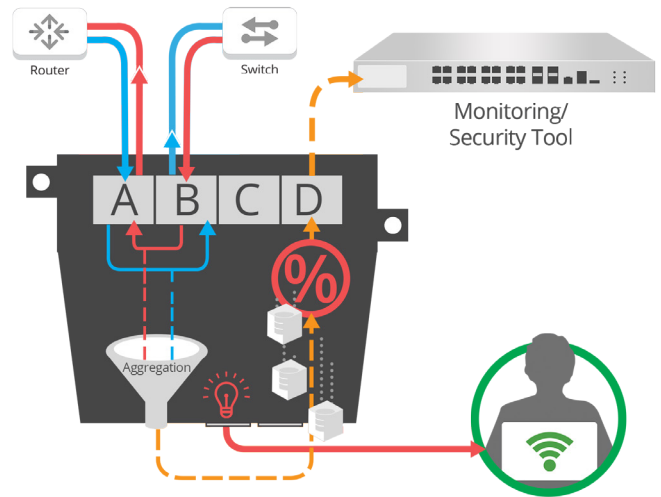
Use Cases

Portable Filtering TAPs support 1G of traffic on each network link



Remote Management of Filtering and Aggregation Functions

Filter and aggregate packets to two out-of-band network tools. Remotely manage filtering rules as needed.



Never Oversubscribe Ports

Set utilization alerts (user sets the percentage) on each monitoring port to avoid oversubscription. Remotely change TAP mode to breakout when utilization alert is triggered and/or filtering rules.



This document is for informational purposes only. The information in this document, believed by Garland Technology to be accurate as of the date of publication, is subject to change without notice. Garland Technology assumes no responsibility for any errors or omissions in this document and shall have no obligation to you as a result of having made this document available to you or based upon the information it contains. ©2018 Garland Technology LLC. All Rights Reserved