

BiDi Network TAPs

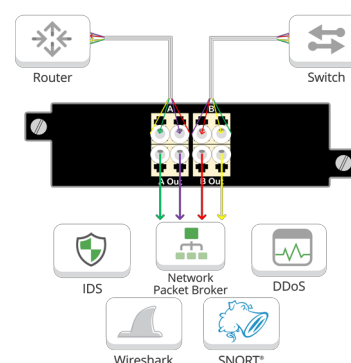
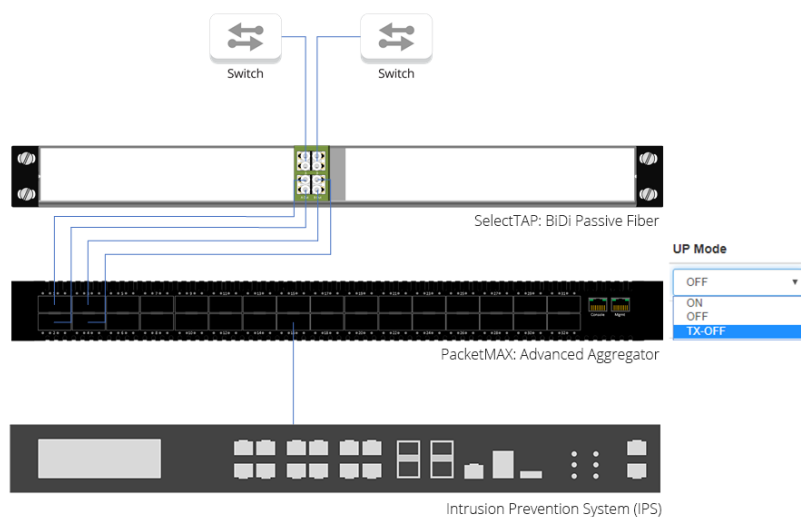
Ensure Existing Infrastructure Visibility, When Upgrading to 40G/100G

Garland Technology's BiDi Passive Fiber Network TAPs are hardware devices that allow you to monitor your network. All fiber breakout TAPs are passive, purpose-built hardware devices that make a 100% copy of your network's data allowing your monitoring tools to see every bit, byte and packet.® Garland's unique BiDi design provides the flexibility to TAP multi-mode OM3/OM4/OM5 fiber types.

Use Case

Recently a large enterprise was undertaking a network upgrade from 10G to 100G, and they were faced with not only having to upgrade existing 10G tools, but also having to replace the entire cable infrastructure.

By using 40G/100G BiDi technology, which uses two parallel multi-mode fiber strands to transmit the signal bidirectionally rather than unidirectionally, network managers were able to achieve 100G traffic over their existing cable infrastructure.



Garland Technology's BiDi Passive Fiber Network TAPs feed wire data to the PacketMAX™: Advanced Aggregator, which provided the load balancing needed to use the existing 10G monitoring and security tools. By making use of BiDi technology, the enterprise was able to ensure complete visibility to existing infrastructure rather than replace the entire system to operate at 100G.

Benefits

- Achieve 40G/100G speeds without dropping packets, even in high utilization environments
- Utilize existing cable infrastructure
- Supports Cisco BiDirectional Optical Technology
- New prism-based technology to reduce bit errors on OM3, OM4, and OM5 applications

BiDi Passive Fiber Network TAPs & SelectTAP™: Fiber Modular Chassis

Speed: 40G/100G

Form Factor: Portable, 1U High Density Chassis, 1U Modular Chassis

More info: garlandtechnology.com/product/select-tap-fiber-modular-chassis

garlandtechnology.com/bidi-multi-mode-passive-fiber-network-taps-40g-sr-bidi



Made, tested, and supported in the U.S.A.

This document is for informational purposes only. The information in this document, believed by Garland Technology to be accurate as of the date of publication, is subject to change without notice. Garland Technology assumes no responsibility for any errors or omissions in this document and shall have no obligation to you as a result of having made this document available to you or based upon the information it contains. ©2019 Garland Technology LLC. All Rights Reserved