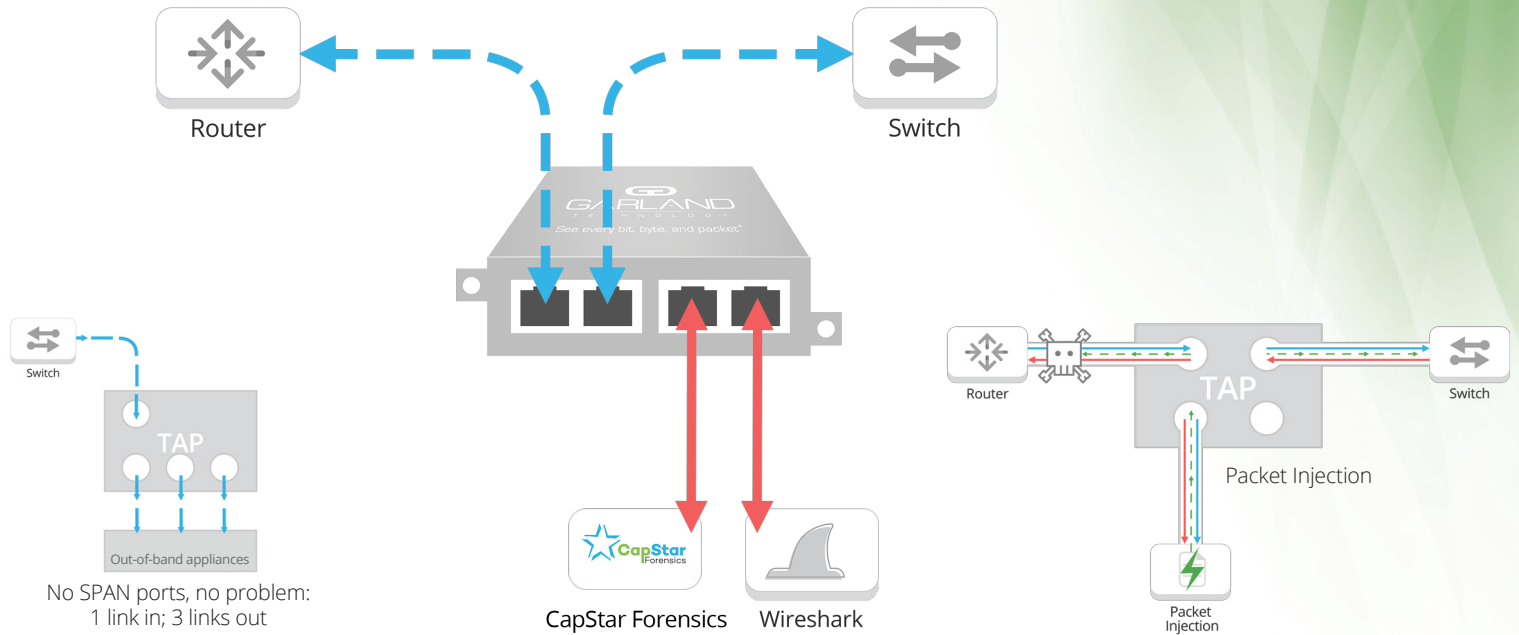


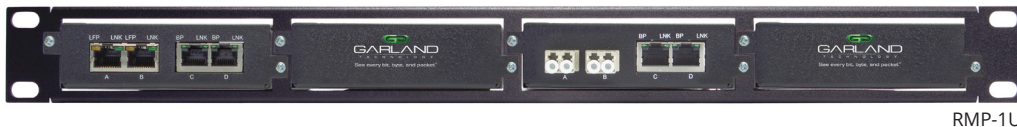
1G Portable Bypass TAP Solution

For CapStar Forensics Network Packet Analysis



Model #	Network Speed	Media		Modes				Packet Injection Support In Aggregation Mode
		Network	Monitor	Breakout	Aggregation	Regeneration/SPAN	Bypass	
P1GCCBP	100/1000M	2 Copper-RJ45	2 Copper-RJ45	x	x	x	x	Yes
P1GMCBP*	1G	2 SX Multi-mode, Fiber-LC	2 Copper-RJ-45	x	x	x	x	Yes
RMP-1U	1U Rack Mount Kit - Hold up to 4 Portable TAPs							

*Media Conversion for: Fiber 1G (SX, LX to copper/SFP).



TAP Features

- Cost Effective
- Portable, on site troubleshooting
- Easy configuration; switches on back.
- Supports Jumbo frames.
- Supports link failure propagation (LFP)
- Passes physical errors
- 100% secure and invisible; no IP address, no Mac address; cannot be hacked.
- Made, tested and certified in USA.

Joint Solution Overview

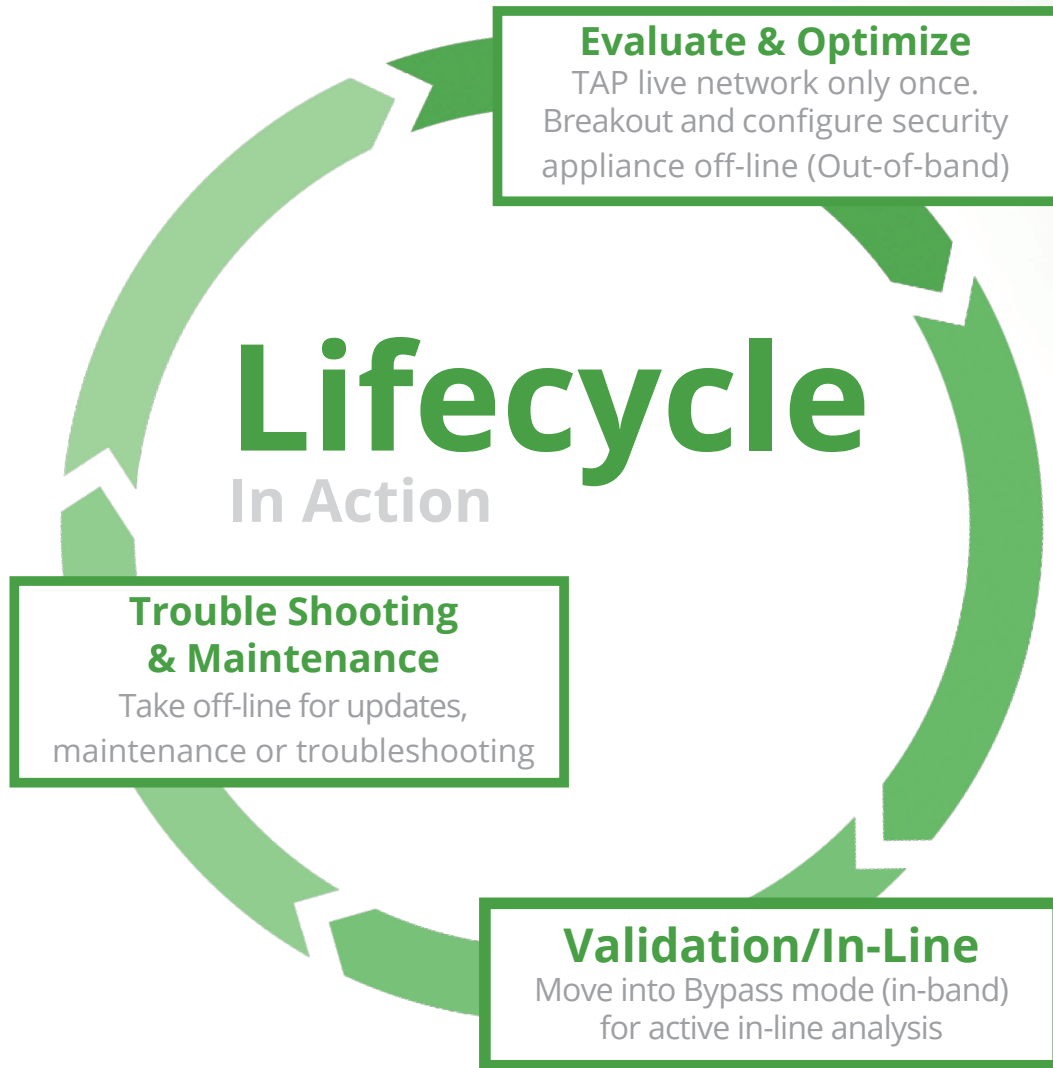
- Tap one link and regenerate packets to two links for deeper network traffic analysis.
- Loading large PCAPs - only once
- Scanning PCAPs quickly
- Craft easy-to-write scripts and analytics
- Run stateful and compound queries, with the ability to remember, track, count and compare.
- Automate queries and perform multiple queries without reloading PCAPs.

Have Questions?

sales@garlandtechnology.com
+716.242.8500
garlandtechnology.com

A Best Practice Guide

For deploying and managing your in-line appliances.



Why do Palo Alto, Cisco and Intel Security partner with Garland Technology as their bypass network TAP vendor?

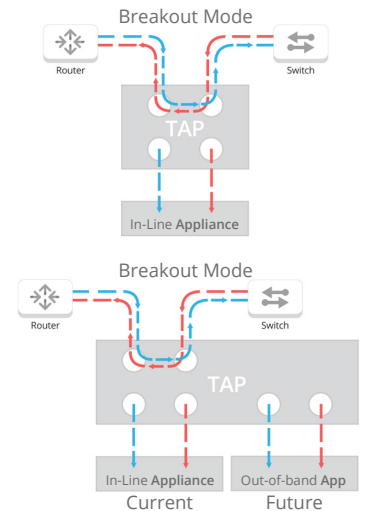
To ensure 100% uptime and visibility for active in-band security appliances.

Network Bypass TAPs have a variety of features, including the ability to go from breakout, aggregating, regenerating and bypass modes meeting your needs today and tomorrow.

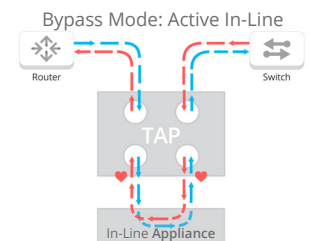
Advantages

- Network uptime
- Expedited problem resolution
- Anytime access to in-line appliance
- Peace of mind

Evaluate & Optimize



Validation/In-Line



Trouble Shooting & Maintenance

