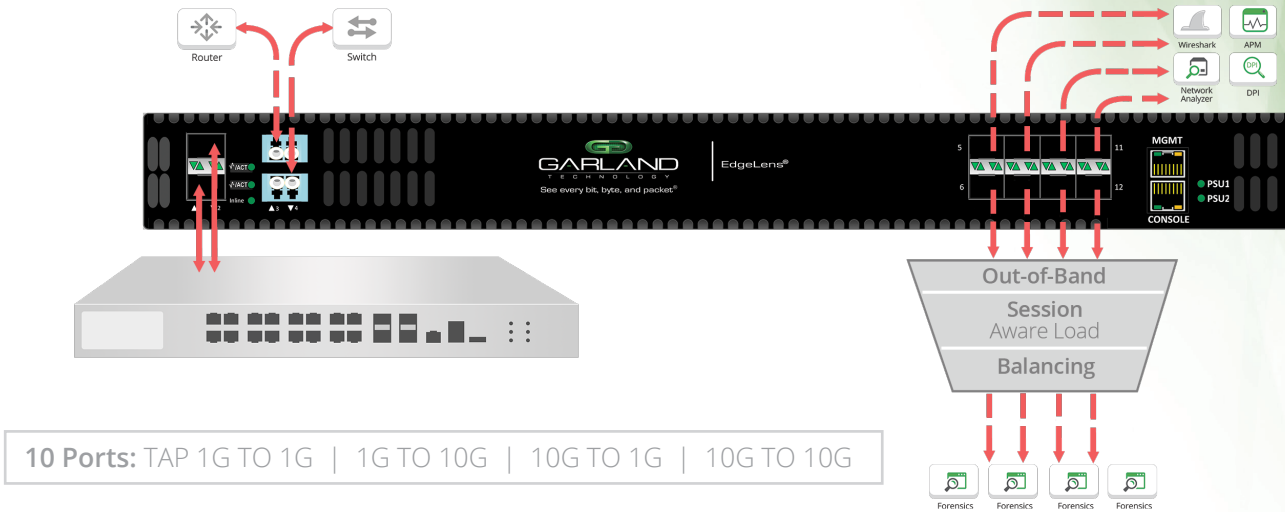


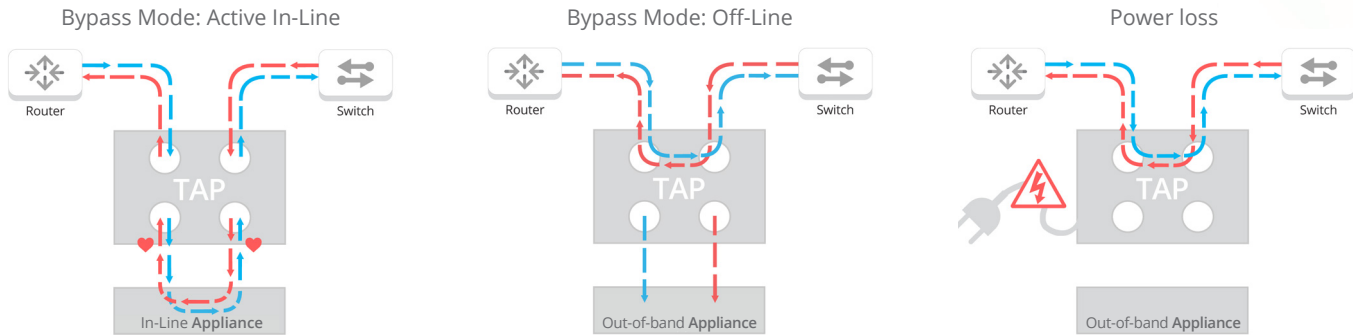
# EdgeLens® 12-Port In-Line/Out-of-Band Solution

Hybrid Bypass TAP and Packet Broker Solution

1G or 10G Bypass TAP



## Bypass TAP Traffic Flow



## Applications

- Use a single access device to connect multiple appliances, including Forensics, End Point and BYOD.
- Take your appliance offline without interrupting data traffic for: updates, maintenance and troubleshooting.
- (10) ports employ SFP/SFP+ cages for ultimate flexibility.
- TAP a 10G circuit and filter for 1G appliances.
- In-line TAP circuit type can be multi-mode or single-mode with egress ports in either 1G or 10G, fiber or copper.
- The EdgeLens® filters, aggregates and load balances the in-line data stream and all monitoring outputs.

## The EdgeLens®

The Garland Technology 12-port EdgeLens® provides (1) 10G TAP with (8) monitoring ports. The 12-port EdgeLens® provides a cost effective solution for attaching multiple devices through a single TAP contained in a 1U chassis.

## Heartbeat Packets

Heartbeat packets are sent out of each monitoring port. If the heartbeat packets are not received from either direction, then Bypass Mode takes effect. Heartbeat packets are never sent on the live network.

**For Part Numbers and Ordering Information click here**

This document is for informational purposes only. The information in this document, believed by Garland Technology to be accurate as of the date of publication, is subject to change without notice. Garland Technology assumes no responsibility for any errors or omissions in this document and shall have no obligation to you as a result of having made this document available to you or based upon the information it contains. ©2017 Garland Technology LLC. All Rights Reserved

**Have Questions?**

sales@garlandtechnology.com  
+716.242.8500  
garlandtechnology.com