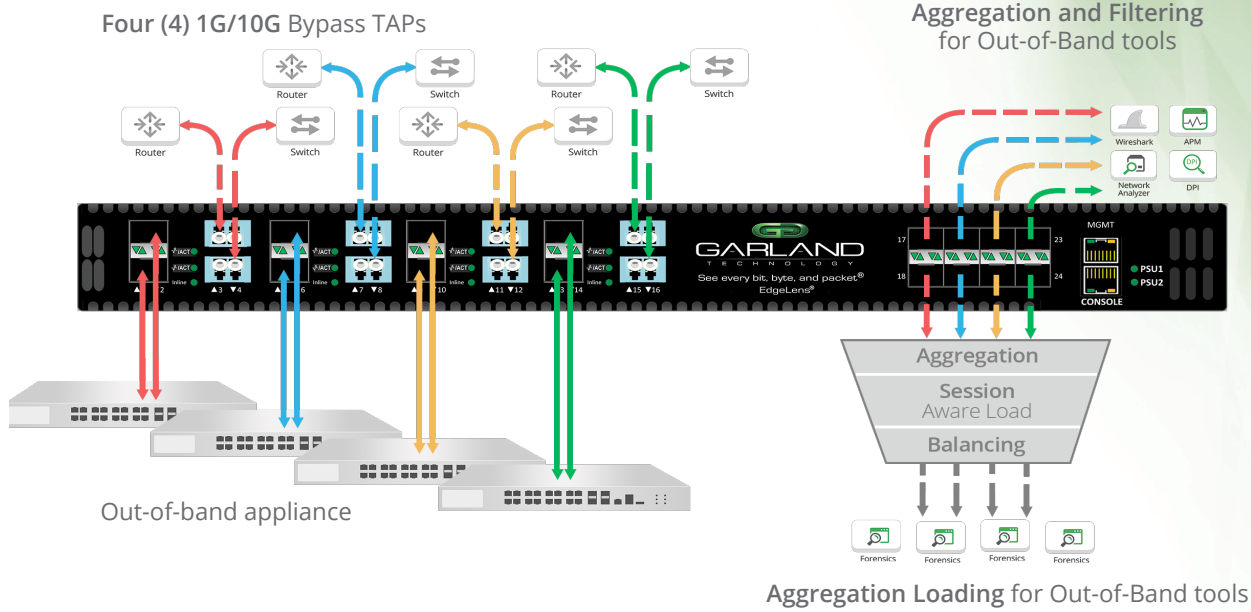
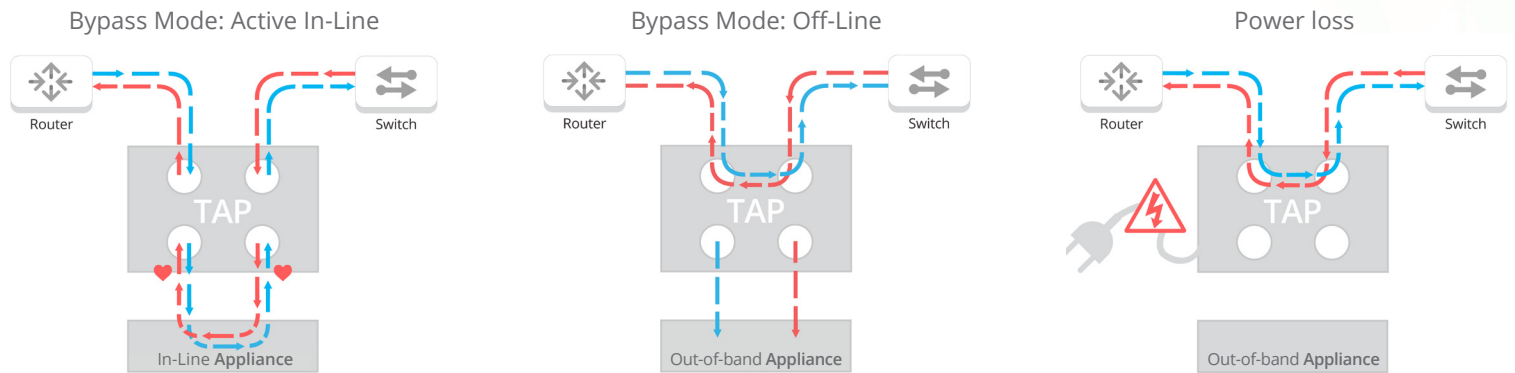


EdgeLens® 24-Port In-Line/Out-of-Band Solution

Working Towards the Best Solution



Bypass TAP Traffic Flow



Applications

- Gain (4) In-Line TAPs and (16) monitoring ports in a single 1U device.
- Take your appliance offline without interrupting data traffic for: Updates, Maintenance and Troubleshooting.
- Guarantee 100% network uptime.
- Supports filtering, aggregating & load balancing on all ports.
- (16) SFP/SFP+ cage ports forward copies of data filtered, aggregated and load balanced with egress to multiple monitoring tools.
- (4) 1G or 10G circuits can be aggregated, filtered and load balanced to a single in-line appliance.
- 16 of 24 ports employ SFP cages, accepting SFP and SFP+ transceivers for ultimate flexibility and repurposing.

The EdgeLens®

The Garland Technology 24-port EdgeLens® provides connectivity for up to four (4) in-line 10G circuits and up to eight (8) 1G or 10G appliances. The system is able to filter, aggregate and load balance - allowing your tools to receive specific data streams.

Heartbeat Packets

Heartbeat packets are sent out of each monitoring port. If the heartbeat packets are not received from either direction, then Bypass Mode takes effect. Heartbeat packets are never sent on the live network.

For Part Numbers and Ordering Information click here

This document is for informational purposes only. The information in this document, believed by Garland Technology to be accurate as of the date of publication, is subject to change without notice. Garland Technology assumes no responsibility for any errors or omissions in this document and shall have no obligation to you as a result of having made this document available to you or based upon the information it contains. ©2017 Garland Technology LLC. All Rights Reserved

Have Questions?

sales@garlandtechnology.com
+716.242.8500
garlandtechnology.com