



## Challenge

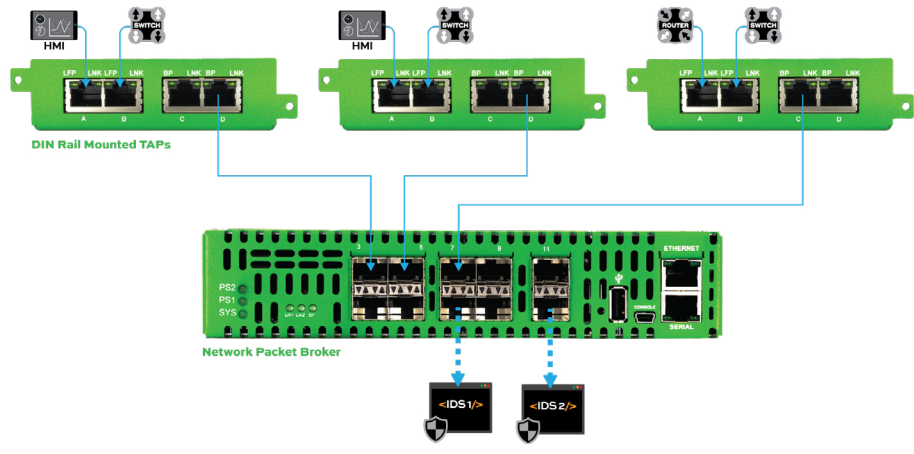
Electricity Providers dealing with disparate substations need to ensure that their IDS Platforms have a full picture into what’s happening in their OT environment. A regional electricity provider was looking for a simple, scalable, and easy to deploy visibility platform so that no matter where their technicians were deployed in the field, they could get access to the network traffic quickly for analysis and troubleshooting.

## The TAP to Tool™ Solution

1. Garland Technology proposed a scalable solution of Copper Network TAPs and a small footprint Aggregator for each substation.
2. By standardizing on a product subset and increasing the number of TAPs needed based on the size of each substation, the customer can quickly train technicians on installation and service of the Garland Technology solution.
3. With the TAPs and Aggregator in place, the customer can then ensure that no matter which OT Security Tool(s) are selected for each substation based on size and criticality they receive 100% of the network traffic.
4. The customer was then able to see a true picture of what’s going on in each substation down to the asset layer, better positioning them to protect critical infrastructure from potential security breaches.

## Benefits

- Unidirectional data diode functionality of Garland Network TAPs.
- NERC-CIP compliance.
- Solution scales with the size of the substation.
- Easy to deploy and gain protection from day one.



### Have Questions?

sales@garlandtechnology.com | +1 716.242.8500 | GarlandTechnology.com