



Visibility by Design for Application/Network Performance Monitoring and Security

Business Challenges

- Increased Network Traffic driven by digital transformation, mobility, and new business applications.
- Application Performance due to distributed enterprise, scattered data and flexible workforce.
- Delayed Resolutions due to reduced visibility into critical application/network data, when/where needed.

Business Value

- Business Continuity through proactive, end-to-end network visibility, security and rapid application issue resolution.
- Policy Compliance through application-level control and application/network data recording and playback.
- Robust Security through network forensics and event correlation for before, during and after an alert or event.

Solution Benefits

- Full Network Visibility leaves no blind spots for network investigation or security planning. Network data is monitored in real time and stored for a playback analysis.
- Simple to Deploy: Pre-certified solution makes it easy to deploy and manage in any kind of environment.
- Easily Scalable: Scales programmatically with virtual machines to millions of flows, multi-gigabit capture-to-disk rates, and multi-terabyte storage capacity.

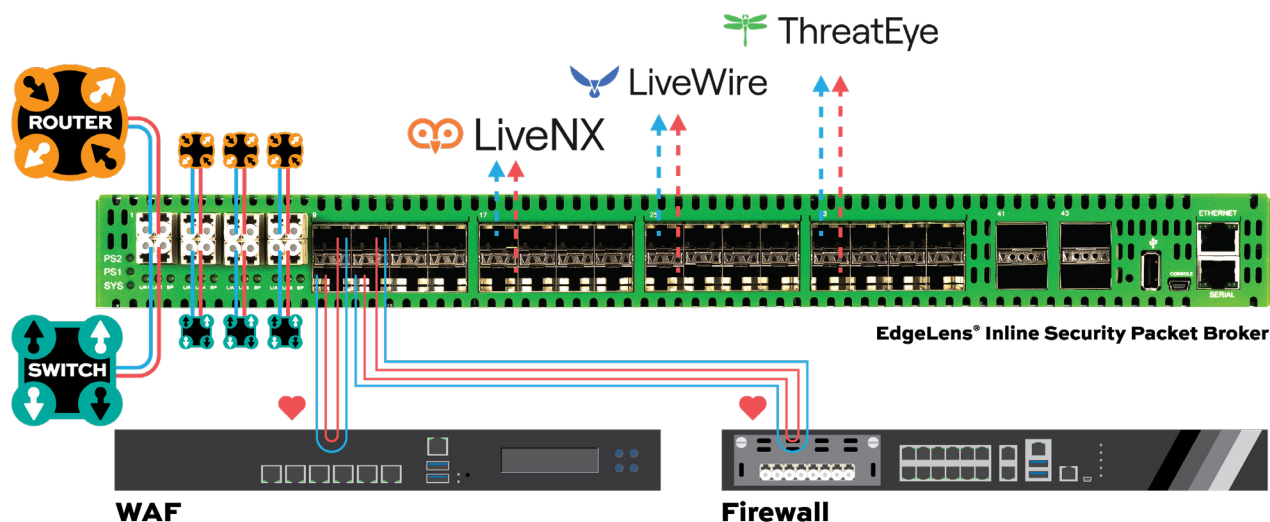
Overall Solution

The LiveAction and Garland joint solution works hand in hand to provide deep visibility into every bit and byte level in any Enterprise or Data Center network. Garland Technology's EdgeLens Inline Security Packet Broker connected to an active, inline application provides a complete copy of network data to LiveAction's tools such as LiveCapture and LiveWire. Using the LiveAction LiveNX and Omnippeek applications, IT and network operations personnel can then connect to the data from anywhere, anytime, and perform real-time monitoring and real-time/delayed analysis of application and network behavior. The result is improved application performance, enhanced customer experience and increased business continuity and security.

Garland EdgeLens Solution

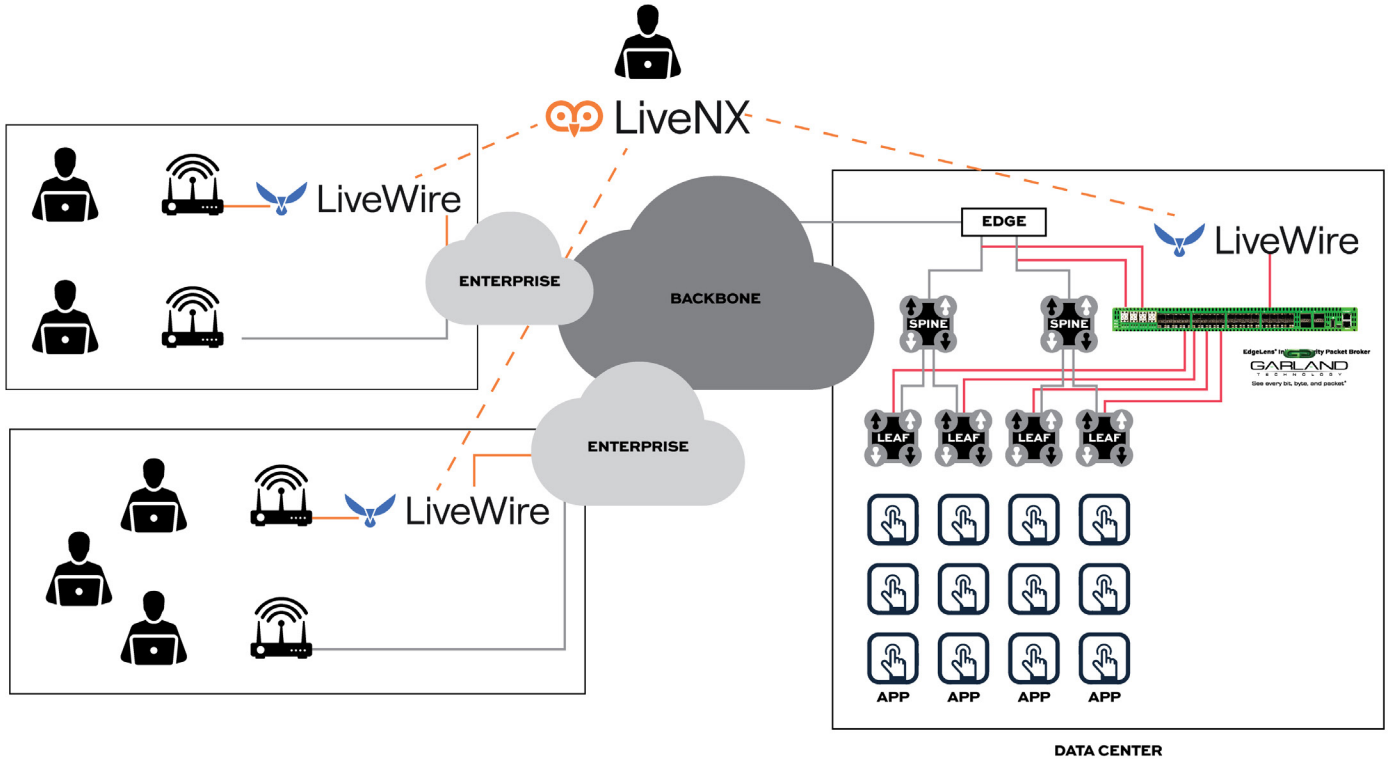
Garland's EdgeLens series is an advanced bypass TAP with built-in packet broker functionality that centralizes network traffic, making network tools more efficient by sharing network traffic with monitoring and security tools. EdgeLens provides visibility for a hybrid configuration of an active, inline network device and out-of-band tools, such as LiveAction. EdgeLens provides identical network traffic streams through the active inline device and to the capture engine of LiveAction LiveWire or LiveCapture. The benefits of both devices seeing the same traffic are:

- Correlated data for real-time monitoring and root cause analysis using network packets.
- Historical look back and playback of the network traffic.
- Validating and updating network policy changes and spotting anomalies.
- Network data recording for compliance and security forensics.
- Root cause analysis for application and network related problems.



LiveAction Application/Network Performance Monitoring and Analysis

Data traffic relayed by Garland is put to real use when LiveAction LiveWire and LiveAction LiveNX process it through advanced data analysis algorithms. At the same time, LiveAction tools capture and store critical network flow/packet data for analysis/playback and root cause analysis using LiveAction LiveCapture, LiveAction LiveCapture Virtual and LiveAction LiveWire series appliances. The result is actionable analysis and visualization of key network performance metrics such as worst application/user flows, application latency, TCP quality, unified communication quality, top application, dependency mapping, network utilization and multi-segment analysis. Such analysis enables enterprises to resolve application/network performance issues quickly (operational continuity, higher productivity, better customer experience), perform capacity planning for future growth, and close security loopholes (Traffic profiling).



About LiveAction

LiveAction’s solution suite provides unmatched network visibility and actionable intelligence for effective network management and troubleshooting. LiveAction customers have recognized up to 50% improvement in mean time to respond, 20X faster troubleshooting, 153% return on investment, and payback in 12 months. To learn more, visit www.liveaction.com.

About Garland Technology

Garland Technology is an industry leader of IT and OT network solutions for enterprise, critical infrastructures, and government agencies worldwide. Since 2011, Garland Technology has been engineering and manufacturing simple, reliable, and affordable Network TAPs and Network Packet Brokers in Richardson, Texas. For help identifying the right IT / OT network visibility solutions for projects large and small, or to learn more about the inventor of the first bypass technology, visit GarlandTechnology.com.



Have Questions?

sales@garlandtechnology.com | +1 716.242.8500
GarlandTechnology.com/liveaction



See every bit, byte, and packet™