

100Base-FX & 100Base-LX Hardware Data Diodes

Portable Media Conversion



P100FXCASP (Multimode)



P100LXCASP (Single Mode)

The AggregatorTAP: 100Base-FX/LX hardware data diode is a versatile, portable device engineered to make OT sensor safety compatible with the network. This purpose-built hardware device converts fiber optic signals (100Base-FX or 100Base-LX) to copper connections, enabling comprehensive network analysis and security monitoring. Garland Technology’s Hardware Data Diodes ensure any ethernet packet flows in one direction out the monitoring ports.

Available in portable standalone units or rack-mountable configurations (up to 4 units per 1U rack). Choose from Multimode (P100FXCA) or Single Mode (P100LXCA) fiber options to match your network infrastructure. These hardware data diodes can aggregate or breakout unidirectional copies to inputs in ports A and B.

USEFUL

- Media conversion: 100Base-FX to 1G Copper and 100Base-LX to 1G Copper
- Supports breakout and aggregation modes

EASY

- Easy configuration via DIP switches on back
- Single power supply

SAFE

- Physical hardware separation ensures unidirectional traffic between network connections
- No IP address, no Mac address

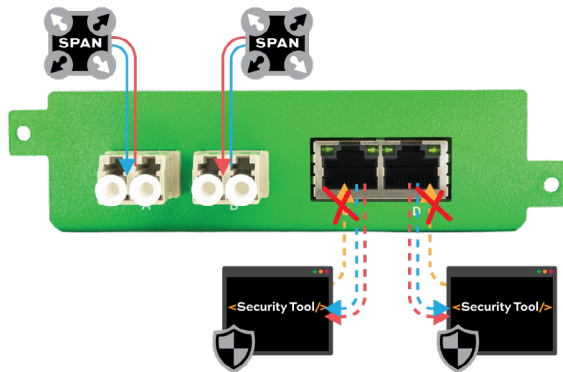
COUNTRY OF ORIGIN: USA

- TAA Compliant

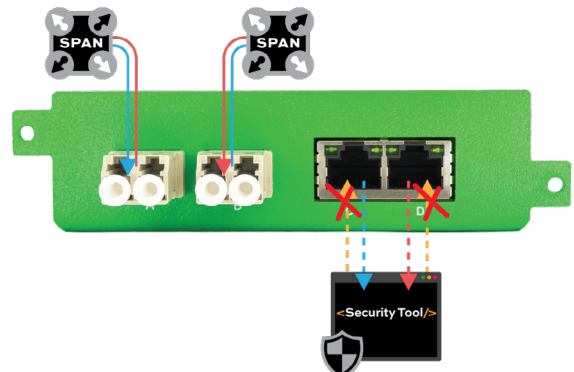
Ordering Information

Product Name	Part #	Product Description
100Base-FX Aggregating TAP	P100FXCASP	Portable 100Base-FX Data Diode: (2) 100Base-FX Network Ports, 2 Copper - RJ-45 100/1000M Monitor Ports, Unmanaged, Aggregation, Breakout
100Base-LX Aggregating TAP	P100LXCASP	Portable 100Base-LX Data Diode: (2) 100Base-LX Network Ports, 2 Copper - RJ-45 100/1000M Monitor Ports, Unmanaged, Aggregation, Breakout

Deployment Applications



Aggregation Mode



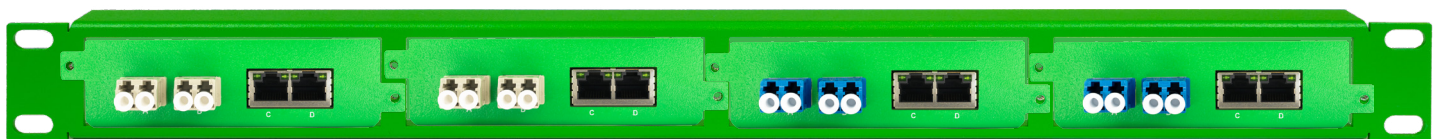
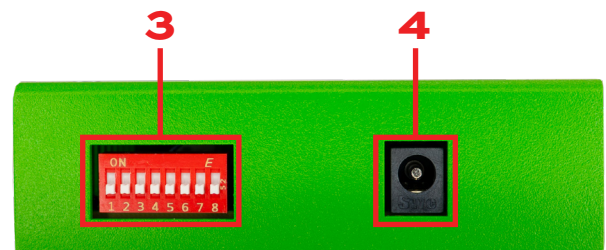
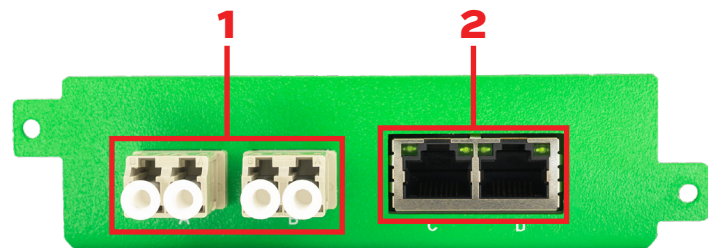
TAP "Breakout" Mode

HARDWARE KEY

1. Two (2) 100Base-FX or LX Ports
2. Two (2) Copper - RJ-45 100/1000M
3. DIP Switches
4. Power Supplies

SPECIFICATIONS

- Dimensions (HxWxD): 1.15" x 3.9" x 6.5"
(29.21mm x 99.06mm x 165.10mm)
- Weight: 0.7 lbs (0.32 kg)
- Voltage: 5 DC
- Current (nominal): < 1.6 Amps
- Maximum consumption: < 8 Watts
- Humidity: 90% non-condensing
- Ambient Temperature: 0°C to 40°C (32°F to 104°F)
- Storage Temperature: -20°C to 70°C (-4°F to +158°F)



RMP-1U

1U Rack Mount Plate, holds 4 portable TAPs



Have Questions?

sales@garlandtechnology.com | +1 716.242.8500 | GarlandTechnology.com

