

DATA SHEET

**FieldTAP™**

Hand-held network TAP.



The FieldTAP™ gives IT professionals working in the field - like network engineers, NOC engineers, cable installers, and IT technicians - the capability to easily collect data at the source. The FieldTAP quickly connects to an IT network and copies packet level data that can be viewed via laptop. By mirroring network traffic between one or two network devices and aggregating the copies out the USB 3.0 monitoring port, the FieldTAP can help troubleshoot IT issues wherever they occur. The FieldTAP is sized to conveniently fit inside a pocket, backpack, or IT tool kit. It's the perfect companion to a laptop equipped with Wireshark™ or other packet analyzers. It plugs into the USB 3.0 slot of a laptop, allowing the laptop's network card to stay connected to a local network. The FieldTAP eliminates headaches when collecting packets on the go, ensuring faster resolution and more satisfied users who are back up and running in no time.

**USEFUL**

- Resolve IT issues / tickets faster
- TAP locations with no power
- Full duplex copies with no packet loss

**CONVENIENT**

- Configure with DIP switches
- Pocket-sized
- Lightweight

**COMPATIBLE**

- Windows
- Linux

**COUNTRY OF ORIGIN: USA**

- TAA compliant

**Ordering Information**

Product Name	Part #	Product Description
FieldTAP SFP Hand-held	P1GSFPU_mini	FieldTAP™ SFP Gigabit Aggregation Tap: (2) SFP Ports, (1) USB Monitoring Port or Dual Media Converter



**Have Questions?**

sales@garlandtechnology.com | +1 716.242.8500 | GarlandTechnology.com

# Deployment Benefits

## Network TAP

- Passes all network traffic between connected devices.
- Sends 100% full duplex copies of network packets to a laptop with no dropped packets.
- Aggregates both sides of the traffic streams into one USB 3.0 monitoring port from a single connectivity point.
- More reliable than trying to reconfigure a SPAN port on a Switch.
- More convenient than locating Switches that are inaccessible or secure.
- Invisible to the network.

## IT Problem Resolution

- Conduct packet captures on VoIP phones and WiFi access points.
- Connectivity issues among network devices.
- Capture SIP and RTP VoIP packets in real time.
- Identify jitter, latency, and packet loss issues.
- Conduct network penetration tests.

## Replace Typical Troubleshooting Tools

- Store-bought 4 or 8 port Switches.
- Super long ethernet cables.
- Spare equipment to “trial and error” a solution.

## Connect to a Variety of Devices

- VoIP phones.
- WiFi access points.
- Routers.
- Switches.
- Modems

## Use in Assorted Locations

- Test Labs.
- IT closets.
- Remote or satellite sites.
- Business and Doctor’s offices.
- Retail locations.
- Difficult to access devices.
- Tight spaces.
- Places with no AC outlet.

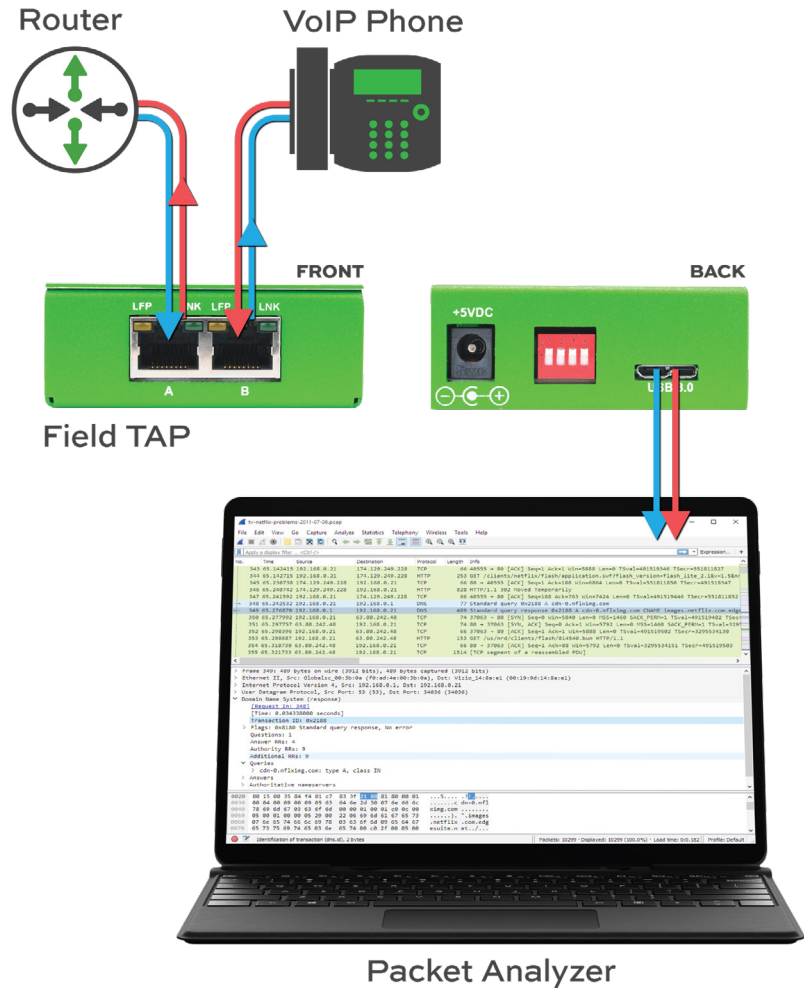
## Management

- Easy to configure DIP Switches on back.
- “Unmanaged” - no GUI needed.
- Just plug-in and collect data.



**Have Questions?**

sales@garlandtechnology.com | +1 716.242.8500 | GarlandTechnology.com



## Warranty

Garland Technology's standard, manufacturer's warranty covers the first twelve months of product ownership. Extended Return to Factory (RTF) and Premium Technical Support (PTS) warranty plans are available for purchase for supplemental and/or additional coverage options in annual increments.

## Design-IT Demo

Have a complimentary technical discussion about your network, goals, challenges, and upcoming projects with a Garland Technology Engineer. After the meeting, you will receive a professionally-designed solution diagram you can use to consider options with your colleagues.



### Have Questions?

sales@garlandtechnology.com | +1 716.242.8500 | GarlandTechnology.com

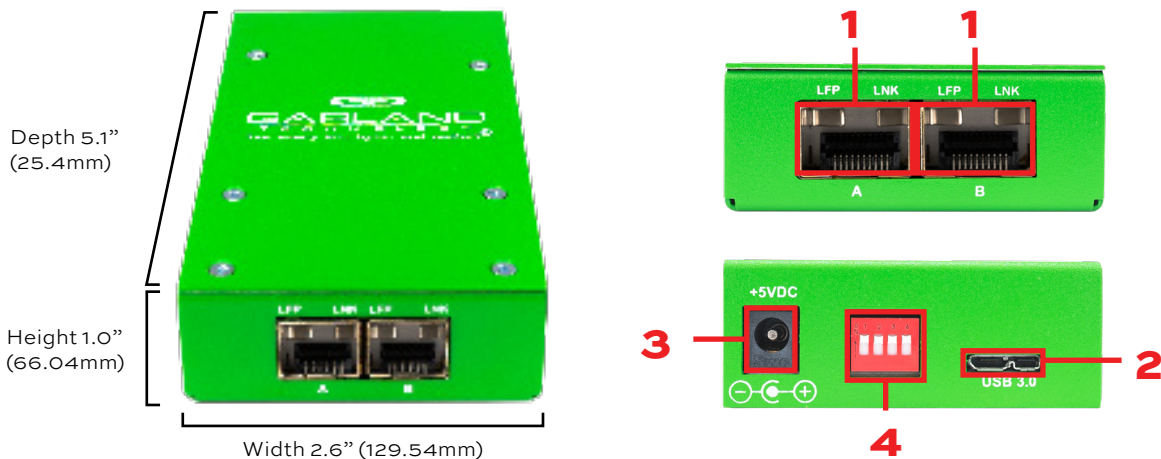
P1GSFPU\_mini

**FieldTAP™**

SFP Gigabit Aggregation Tap: (2) SFP Ports, (1) USB Monitoring Port or Dual Media Converter

**HARDWARE KEY**

1.Two (2) SFP Ports 2.One (1) USB 3.0 Port 3.Power Supply 4.Dip Switches

**SPECIFICATIONS**

- Network speed: (1G)
- Ambient Temperature: 0°C to +40°C / +32°F to +104°F
- Storage Temperature: -20°C to +70°C / -4°F to +158°F
- Voltage: 5V
- Current (nominal): 0.8 Amps
- Max. Consumption (Fiber SFP): < 0.83 Watts
- Max. Consumption (Copper SFP): < 1.0 Watts
- Humidity: 0-90% non-condensing
- USB 3.0 data rate = 5Gb/s
- Weight: 0.45 lbs (0.2041 kg)

**PACKAGE CONTENTS**

- One (1) P1GSFPU\_mini
- One (1) USB 3.0 Cable
- One (1) External Power Supply

**CERTIFICATIONS**

- RoHS3
- SVHC

**Have Questions?**

sales@garlandtechnology.com | +1 716.242.8500 | GarlandTechnology.com

## Accessories

Part #	Product Description
RMS-1U-V2	1U Rack Mount Kit - Hold up to 4 Portable TAPs
SFP+-10GBiDi-1270-1330	10GBASE-BX SFP+ 1270nm-TX/1330nm-RX 10km DOM Transceiver Module
SFP+-10GBiDi-1330-1270	10GBASE-BX SFP+ 1330nm-TX/ 1270nm-RX 10km DOM Transceiver Module
SFP+LR	SFP+ Dual Speed 1Gigabit-LX / 10Gigabit-LR Single Mode Fiber LC Connector
SFP+LR10G	SFP+ 10Gigabit-LR Single-Mode Fiber LC Connector
SFP+LRM10G	SFP+ 10Gigabit-LRM Multi-mode Fiber 1310nm Wavelength, up to 220m LC Connector
SFP+SR	SFP+ Dual Speed 1Gigabit-SX / 10Gigabit-SR Multi-Mode Fiber LC Connector
SFP+SR10G	SFP+ 10Gigabit-SR Multi-Mode Fiber LC Connector
SFP+T	SFP+ Triple Speed 100M/1G/10G Copper RJ45 Connector
SFP+ZR80	SFP+ 10Gigabit-ZR 80Km Single Mode Fiber LC Connector
SFP-1GBiDi-1310-1550	1000BASE-BX BiDi SFP 1310nm-TX/1550nm-RX 10km DOM Transceiver Module
SFP-1GBiDi-1550-1310	1000BASE-BX BiDi SFP 1550nm-TX/1310nm-RX 10km DOM Transceiver Module
SFPEX40km	SFP 1000Base-EX Single Mode Fiber 1310nm 40km LC Connector
SFPEX90km	SFP 1000Base-EX Single Mode Fiber 1550nm 90km LC Connector, -10/70°C operation
SFPFX	SFP 1310nm LED, 100BASE-FX, MM OC-1/OC-3, LC connector, 40/85°C operation, 2km
SFPLX	SFP 1000Base-LX Single Mode Fiber LC Connector
SFPLX-WB	Wide-band SFP 1000Base-LX Single Mode Fiber LC Connector
SFPSX	SFP 1000Base-SX Multi-Mode Fiber LC Connector
SFPTX	SFP 10/100/1000 Copper RJ-45 Connector
SFPTX1G	SFP 1 Gigabit-TX Copper RJ-45 Connector
SFPZX	SFP 1Gigabit-ZX Single Mode Fiber 1550nm Wavelength, 90KM, LC Connecto
TWINAX10M	Twinax Copper Direct Connect Cable SFP+ 10Gigabit 10 Meter
TWINAX1M	Twinax Copper Direct Connect Cable SFP+ 10Gigabit 1 Pre-Cut Meter
TWINAX3M	Twinax Copper Direct Connect Cable SFP+ 10Gigabit 3 Meter
TWINAX5M	Twinax Copper Direct Connect Cable SFP+ 10Gigabit 5 Meter



Have Questions?

sales@garlandtechnology.com | +1 716.242.8500 | GarlandTechnology.com

