

High Density Aggregator with (8) SFP Inputs and (2) SFP+ Outputs

Three Aggregators fit inside a 1U Rack Mount.



The High Density Aggregator with (8) 1G SFP Inputs accepts up to eight (8) inputs and aggregates the copies of traffic on those inputs to 1 or 2 1G/10G SFP+ monitoring ports on the Aggregator. The Aggregator provides visibility of SPAN and tapped traffic to out-of-band security and monitoring solutions. With its data diode design, the Aggregator makes it impossible to send packets back into the network via the monitoring ports of the Aggregator - preventing hackers from interrupting critical systems. 10/100/1000M networks with Copper or Fiber connections relying on Switches can leverage the Aggregator to acquire important data from network without interacting with the environment. Connections between network and monitoring ports can be re-configured to aggregate the copies of traffic as needed for one or more security solutions. Three (3) units of the Aggregator can be mounted in a 1U rack space using the RMS-1U-V3. Aggregators can be chained together to aggregate more inputs. SFP and SFP+ ports give you the flexibility to deploy across your network even if locations have different media types available. DIN Mount supports either a horizontal or vertical installation.

EASY

- Aggregate up to 8 inputs of any media type
- Quick set-up with simple menu prompts to configure
- Space saving design

USEFUL

- Compatible with MSA compliant transceivers with no vendor lock-in
- Dual power supply
- VLAN tag input ports

SAFE

- Data Diode design
- Serial managed, no IP or MAC address
- Durable metal chassis

COUNTRY OF ORIGIN: USA

- TAA compliant

Ordering Information

Product Name	Part #	Product Description
High Density Aggregator with (8) SFP Inputs and (2) SFP+ Outputs	INT1G10SSASP	1U One-Third-Rack High Density Aggregator with (8) 1 Gigabit SFP Input Ports and (2) SFP+ 1G/10G Monitoring Ports, Serial Port Mgmt, Dual PS

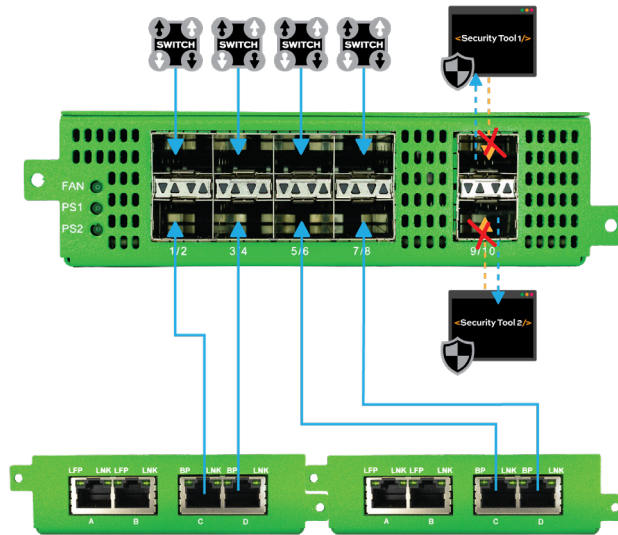


Have Questions?

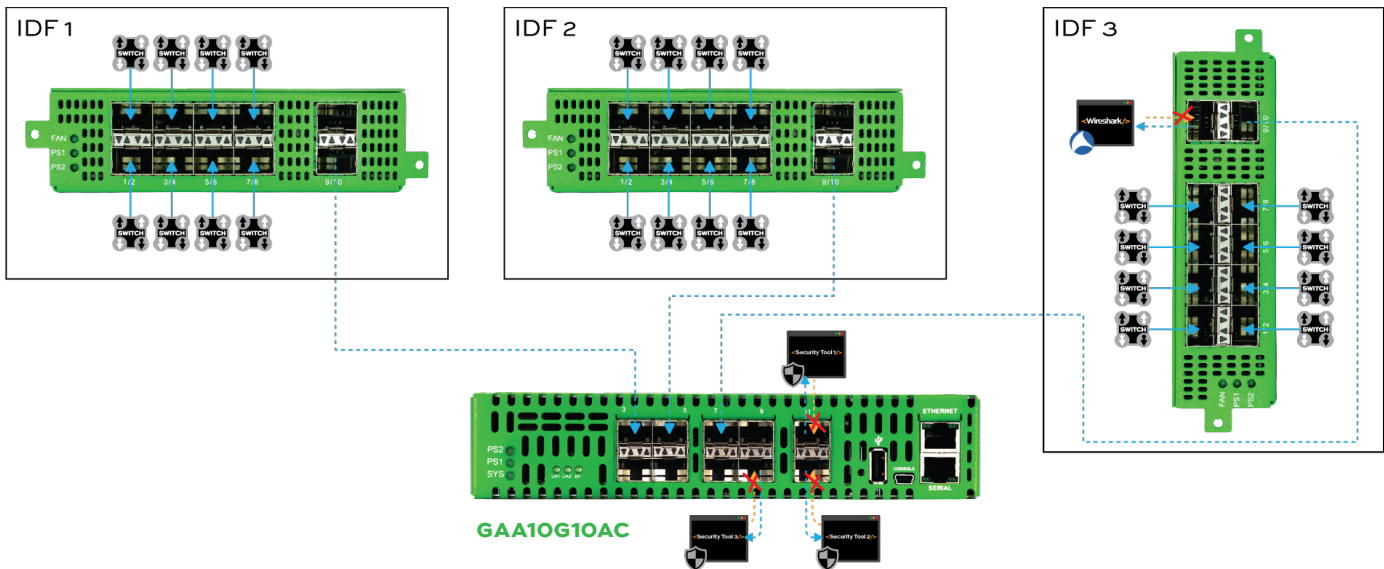
sales@garlandtechnology.com | +1 716.242.8500 | GarlandTechnology.com

Deployment Benefits

USE CASE 1 Aggregate 8 links to 2 monitoring ports



USE CASE 2 Aggregate 24 links to 3 monitoring ports



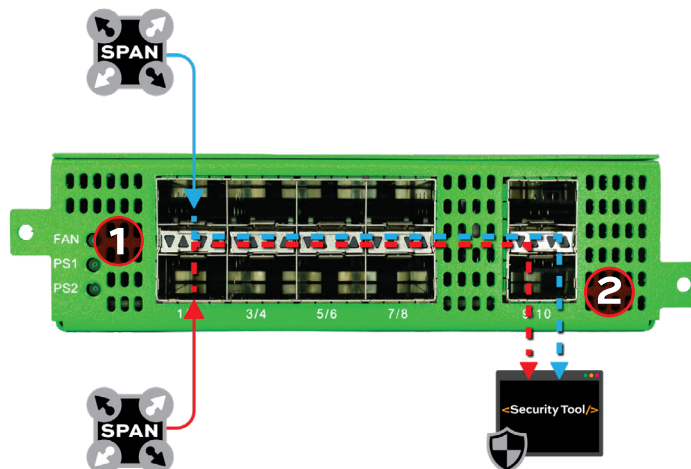
Have Questions?

sales@garlandtechnology.com | +1 716.242.8500 | GarlandTechnology.com

Hardware Data Diode Unidirectional Traffic Overview

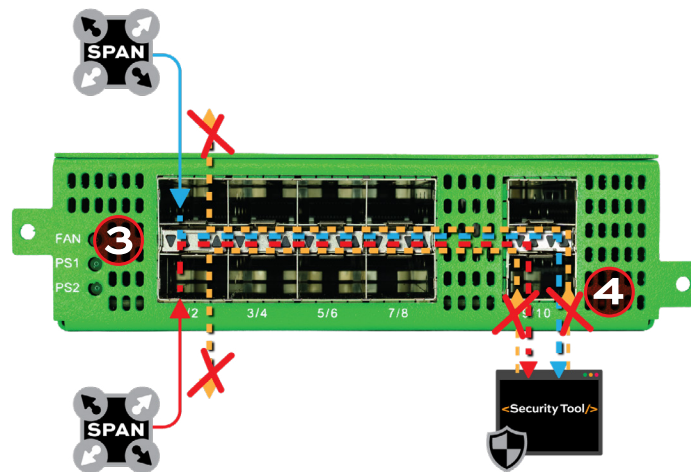
Possible

Hardware Data Diode design enforces traffic to flow in one direction: from input ports (1) to output port (2) only.



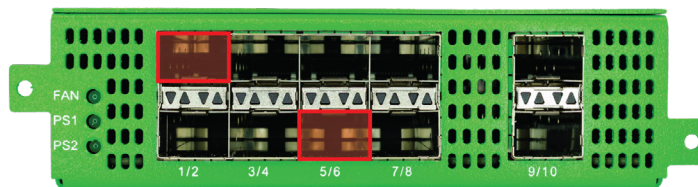
Impossible

Hardware Data Diode design prevents traffic flow from output port (3) to input port (4). This is not possible because of the hardware separation inside the Hardware Data Diode.



True Port-to-Port Isolation

Hardware data-diode design ensures each input port operates as an independent, one-way path. Input ports are not interconnected (e.g., Port 1 and Port 6 are not connected, and traffic cannot flow between them).



Have Questions?

sales@garlandtechnology.com | +1 716.242.8500 | GarlandTechnology.com

ACCESSORIES

RMS-1U-V3

1U Rack Mount Shelf, holds up to (3) INT1G10SSASP

DIN_INT1G10SSASP

DIN Mounting hardware for INT1G10SSASP*

*Installed by Garland Technology if ordered

PWR-DCDC3L

DC Voltage Converter for INT1G10SSASP*

*Need (2) if converting both power supplies

SFP/SFP+ TRANSCEIVERS AVAILABLE FOR INT1G10SSASP:

SFPTX_T: SFP10/100/1000 Copper RJ-45 Connector, TAA Compliant

SFPSX_T: SFP1000Base-SX MMF LC Connector, TAA Compliant

SFPLX_T: SFP1000Base-LX SMF LC Connector, TAA Compliant

SFP+T_T: SFP+1G-TX / 10G-T Copper RJ-45 Connector, TAA Compliant

SFP+SR_T: SFP+1G-SX / 10G-SR MMF LC Connector, TAA Compliant

SFP+LR_T: SFP+1G-LX / 10G-LR SMF LC Connector, TAA Compliant

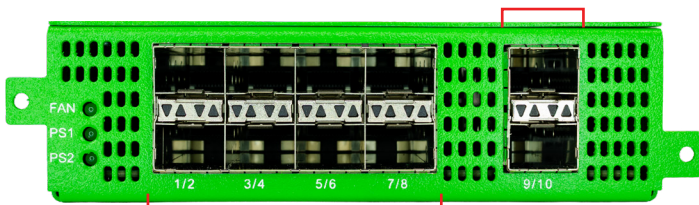
SFPLX-P: SFP100Base-LX SMF LC Connector

SFPPX-P: SFP100Base-FX MMF LC Connector



RMS-1U-V3

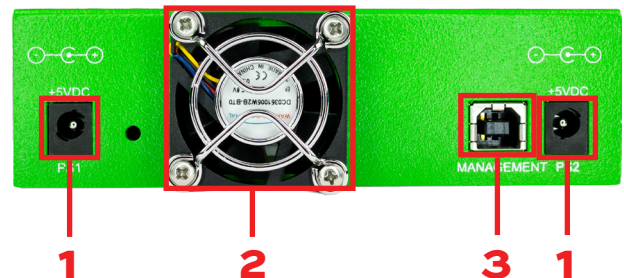
Ports 9-10
100M/1G SFP or 1G/10G SFP+ Output Ports
Compatible with 100M/1G SFP, 1G/10G SFP+



Ports 1-8 1G SFP Input Ports
Compatible with: Copper 10/100/1000M
Multi-mode Fiber 100 Base FX, 1G SX
Single-mode Fiber 100 Base LX, 1G LX

HARDWARE KEY

1. Dual Power Supplies 2. Fan 3. Management Port



SPECIFICATIONS

- Dimensions (HxWxD): 1.5" x 5.0" x 8.75"
(38.1mm x 127.0mm x 222.25mm)
- Power Input: 100-240 VAC, 50-60 Hz
- Max. Power Consumption: 30 Watts
- Weight: 1.1 lbs (0.49895 kg)
- Operating Temperature: 0°C to 40°C
- Operating Humidity: 5 - 85% non-condensing

PACKAGING CONTENTS

- (1) INT1G10SSASP
- (2) Blades
- Small bag of screws
- (1) USB-A cable



Have Questions?

sales@garlandtechnology.com | +1 716.242.8500 | GarlandTechnology.com

